

AMODS

A graphic element consisting of a thick blue horizontal bar with a small square notch in the center, positioned below the 'AMODS' text.

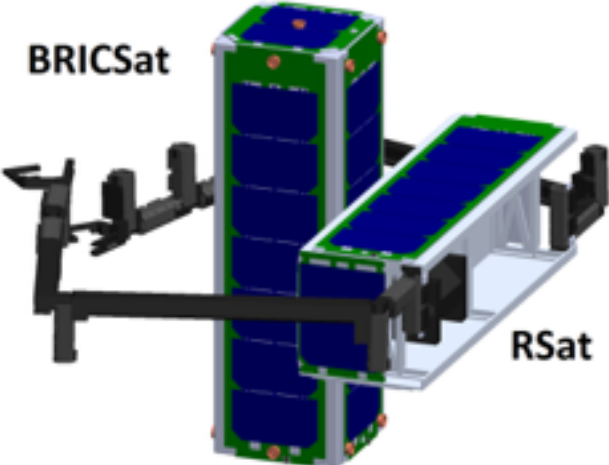
Electromagnetic-Ferromagnetic Interface Docking System (EFINDS)

MIDN Gavin Roser

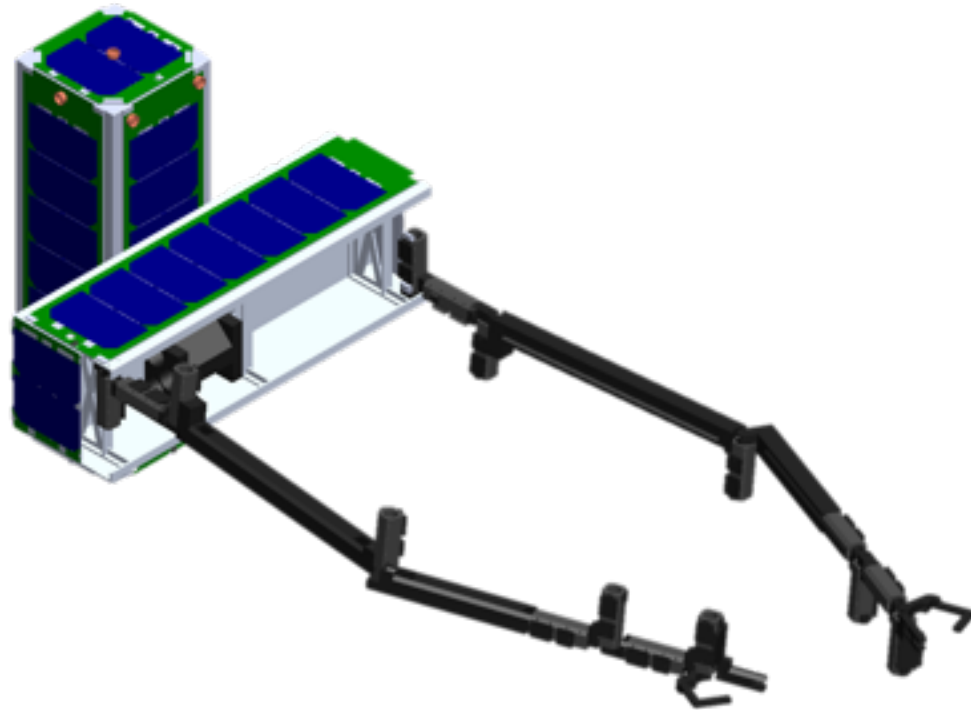
United States Naval Academy

13th Annual CubeSat Developers' Workshop

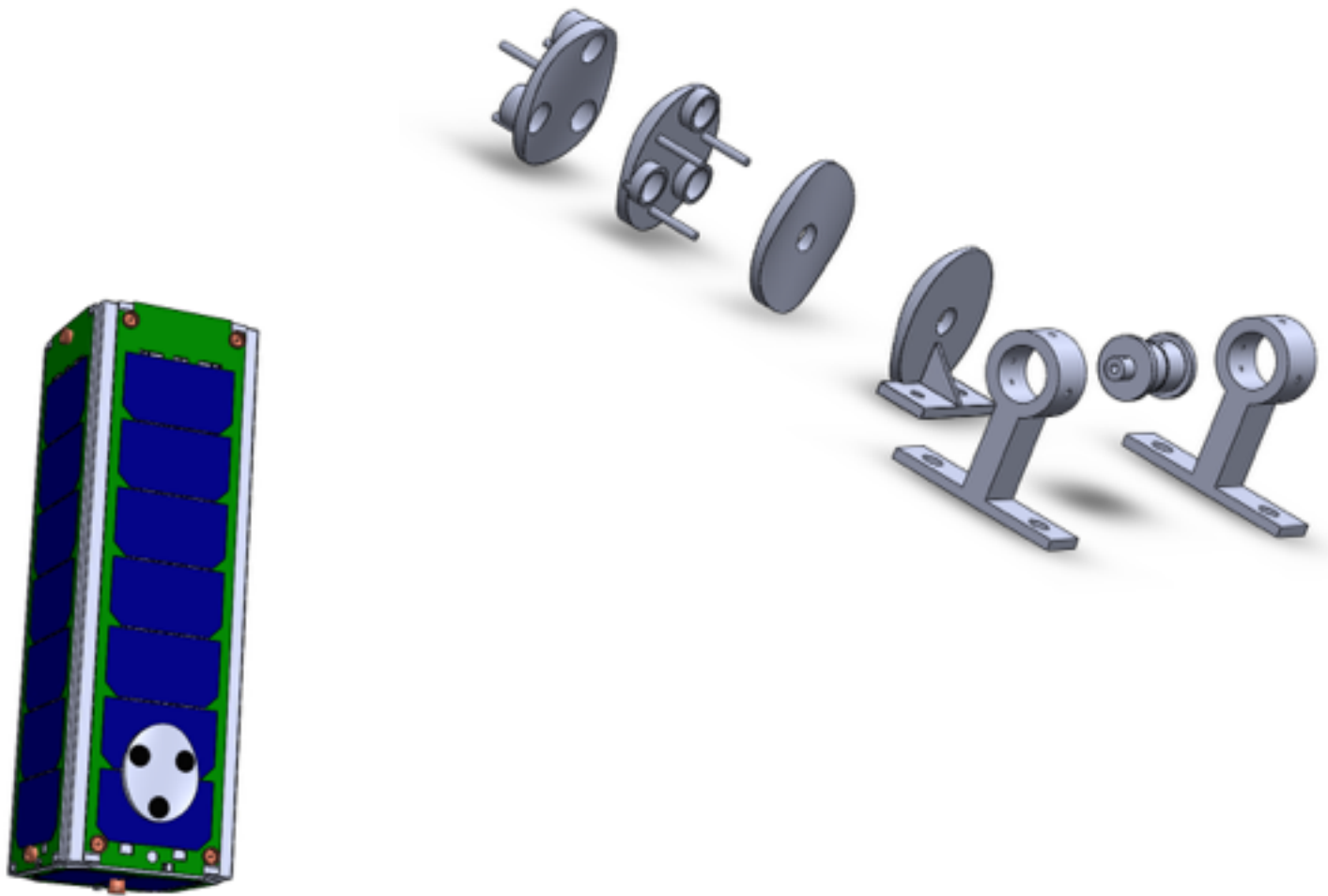
AMODS

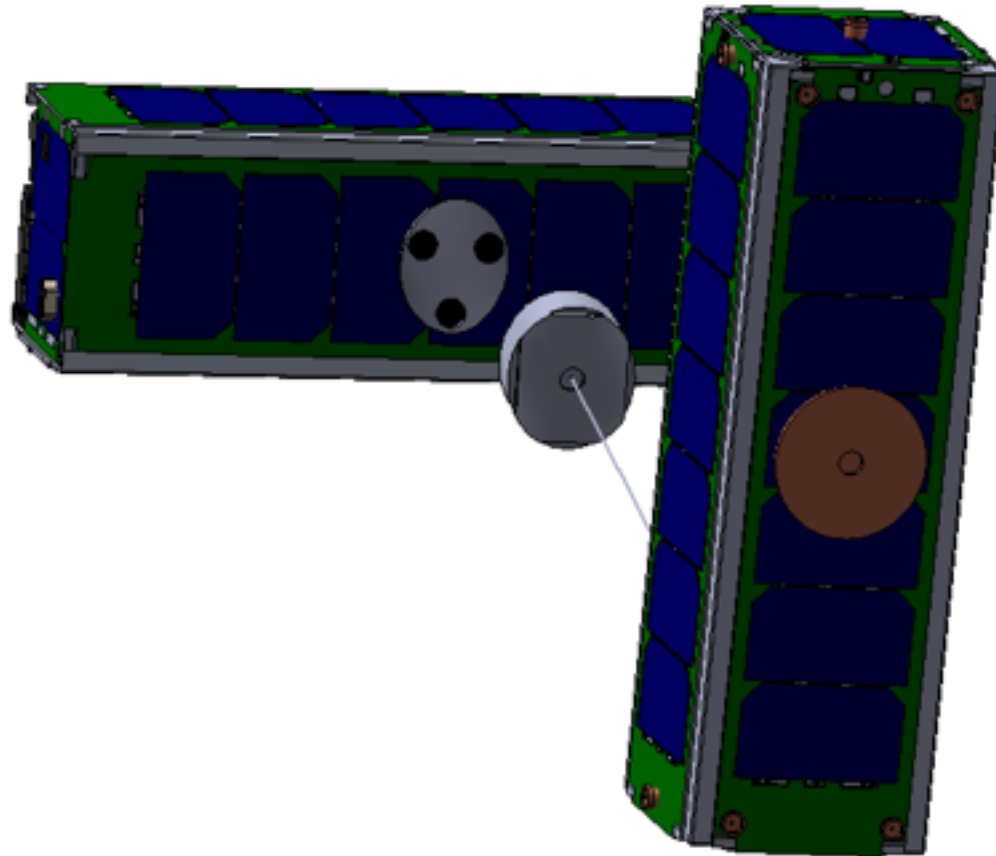




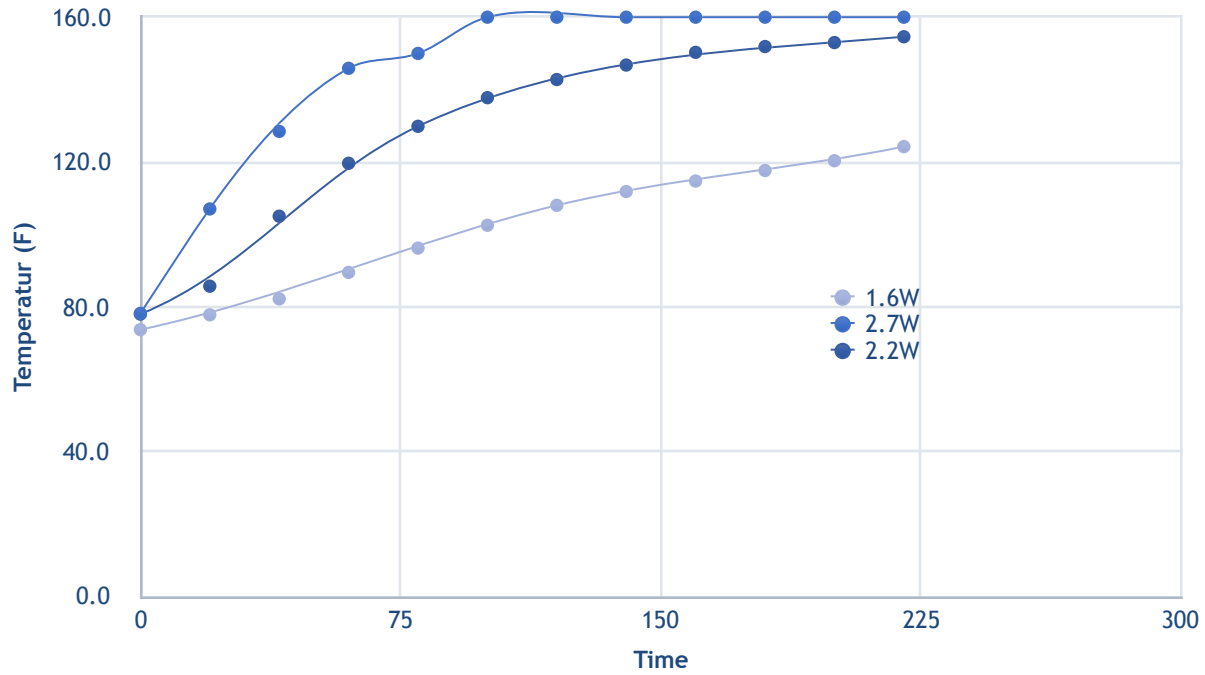


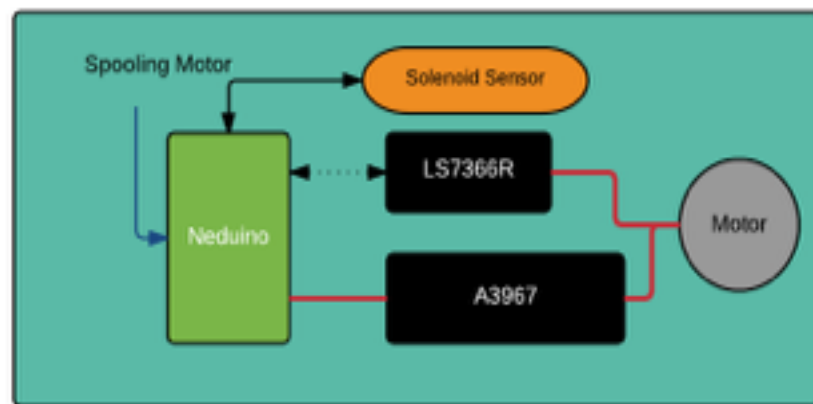
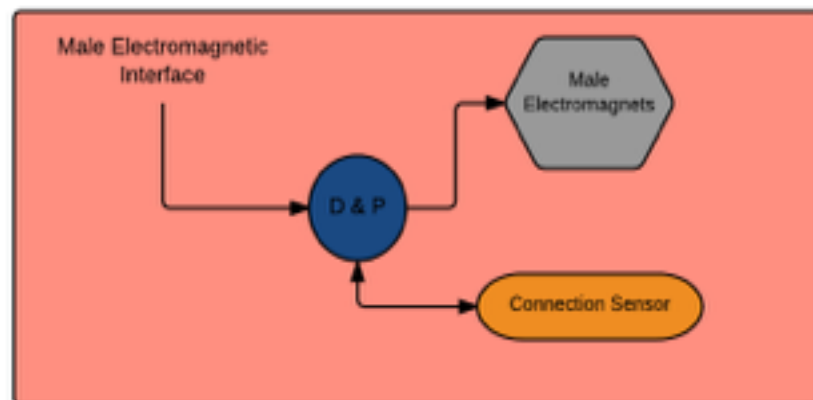
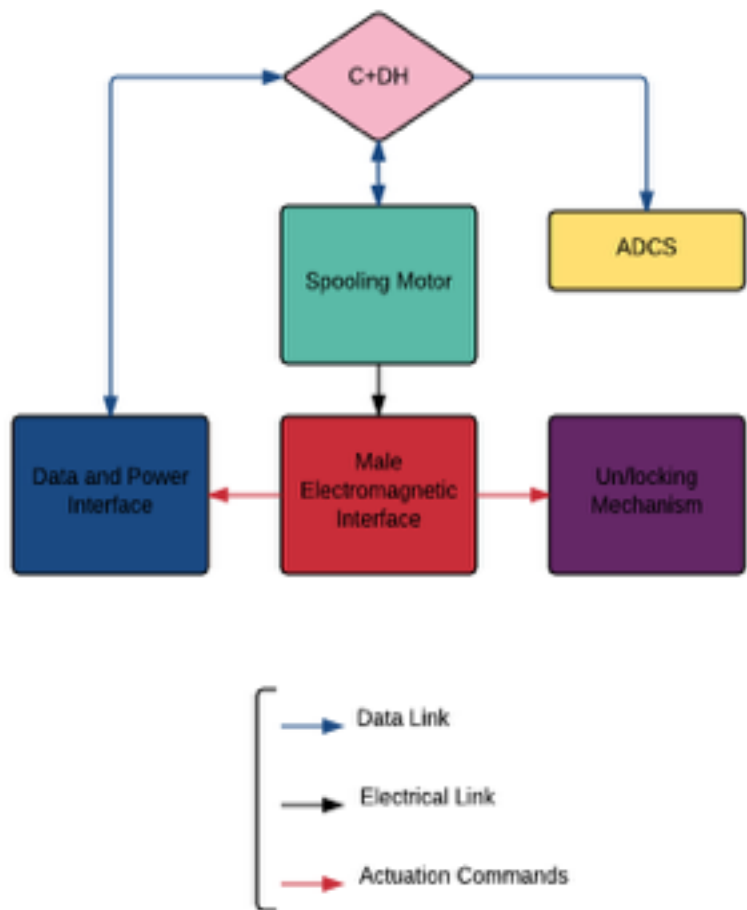
EFINDS



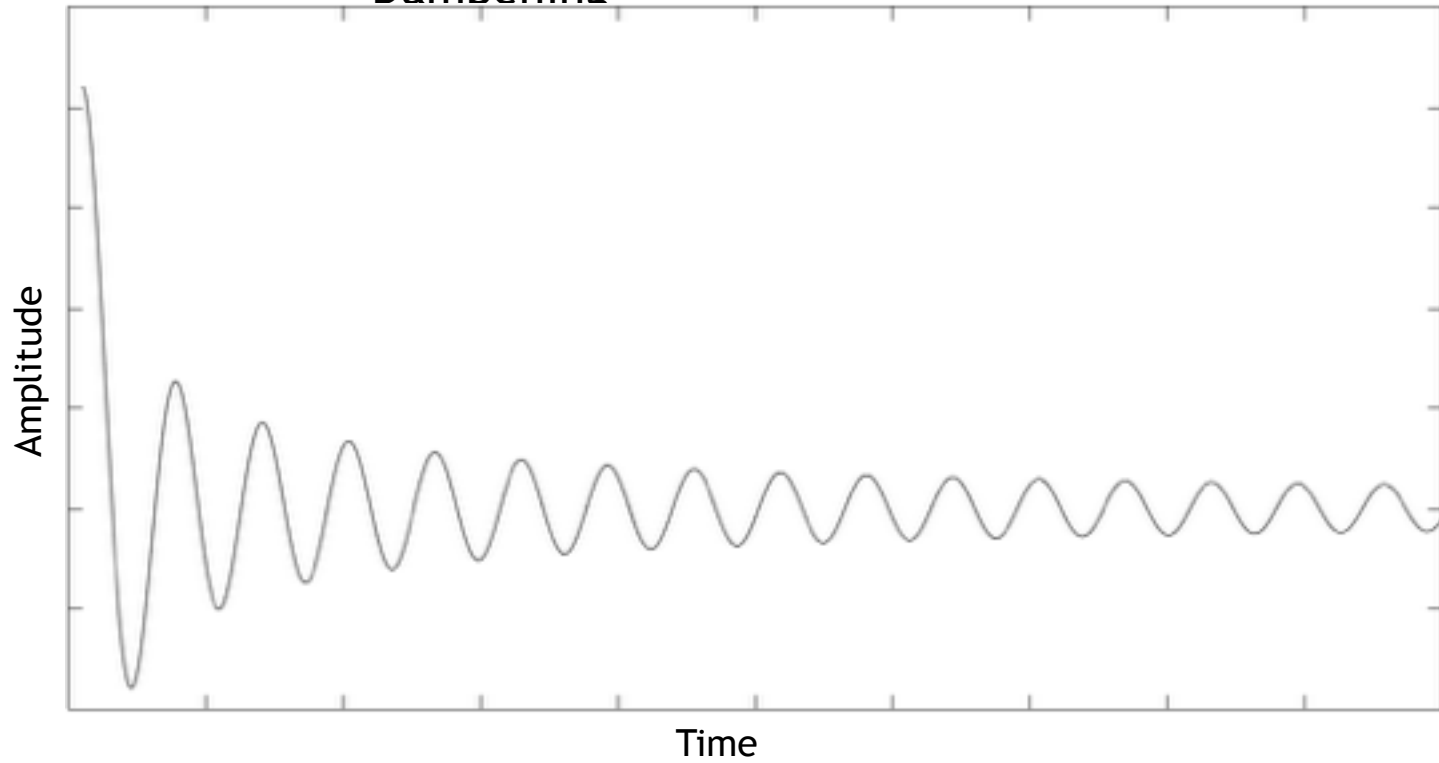


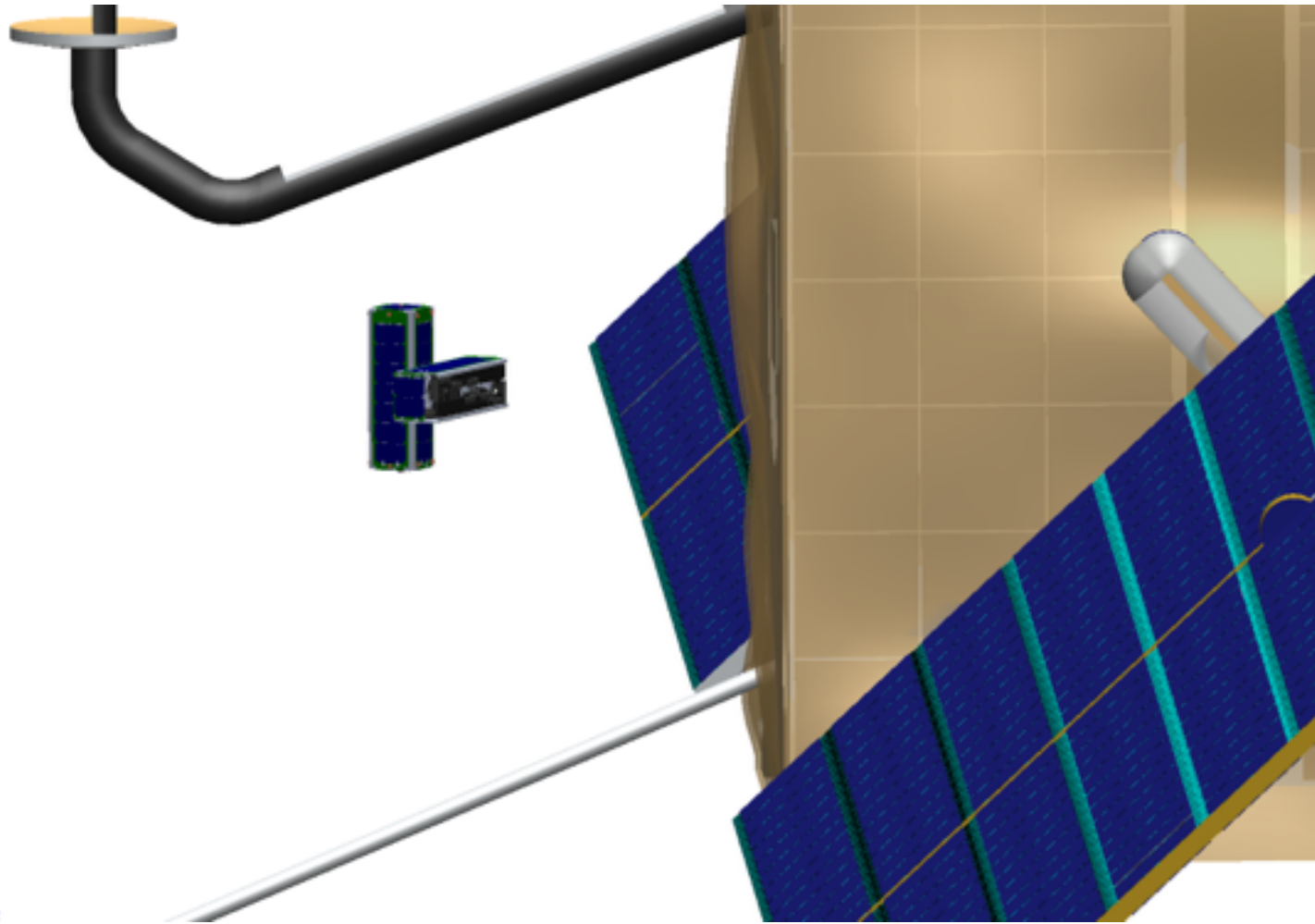
Solenoid Temperature Tolerance

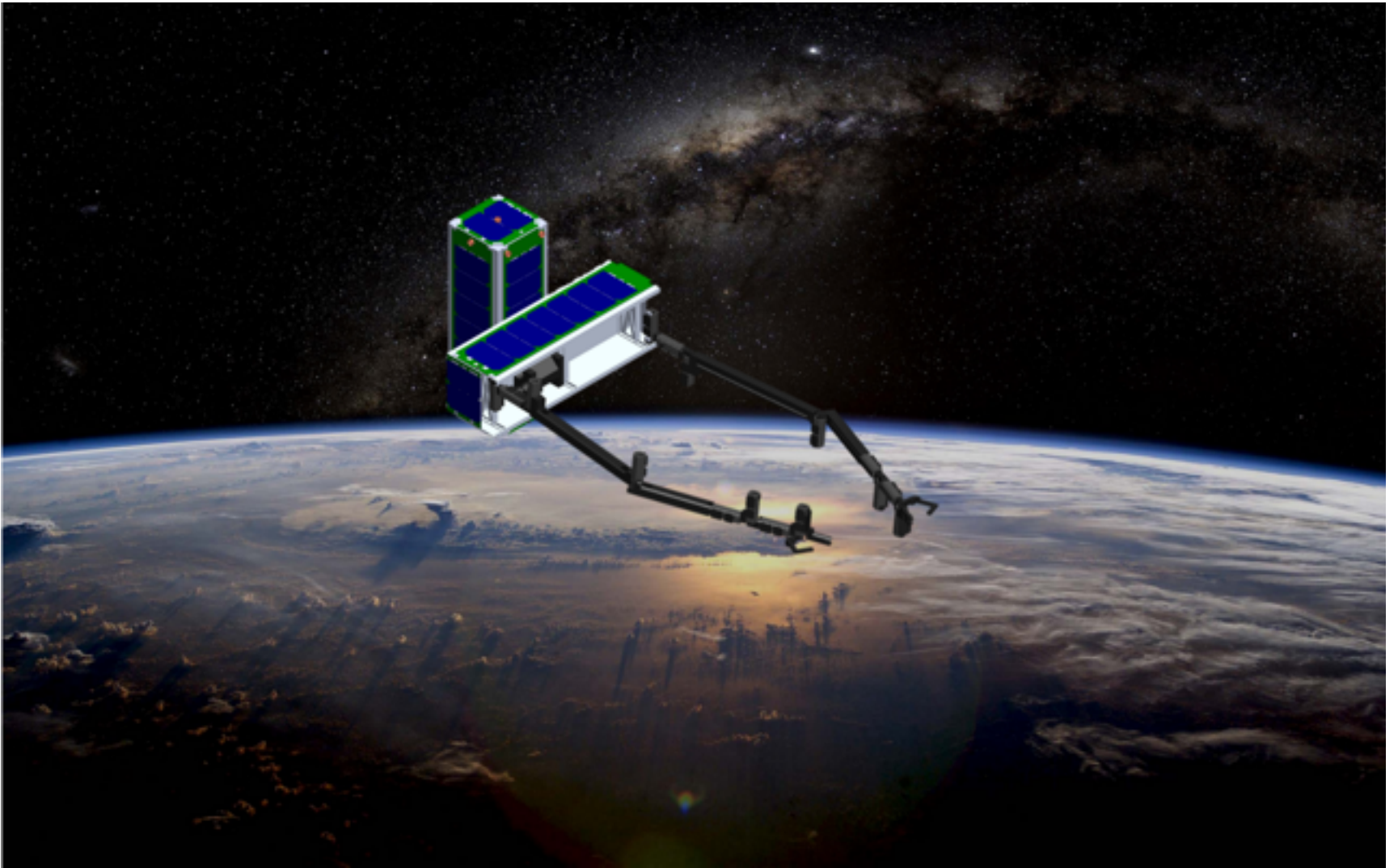




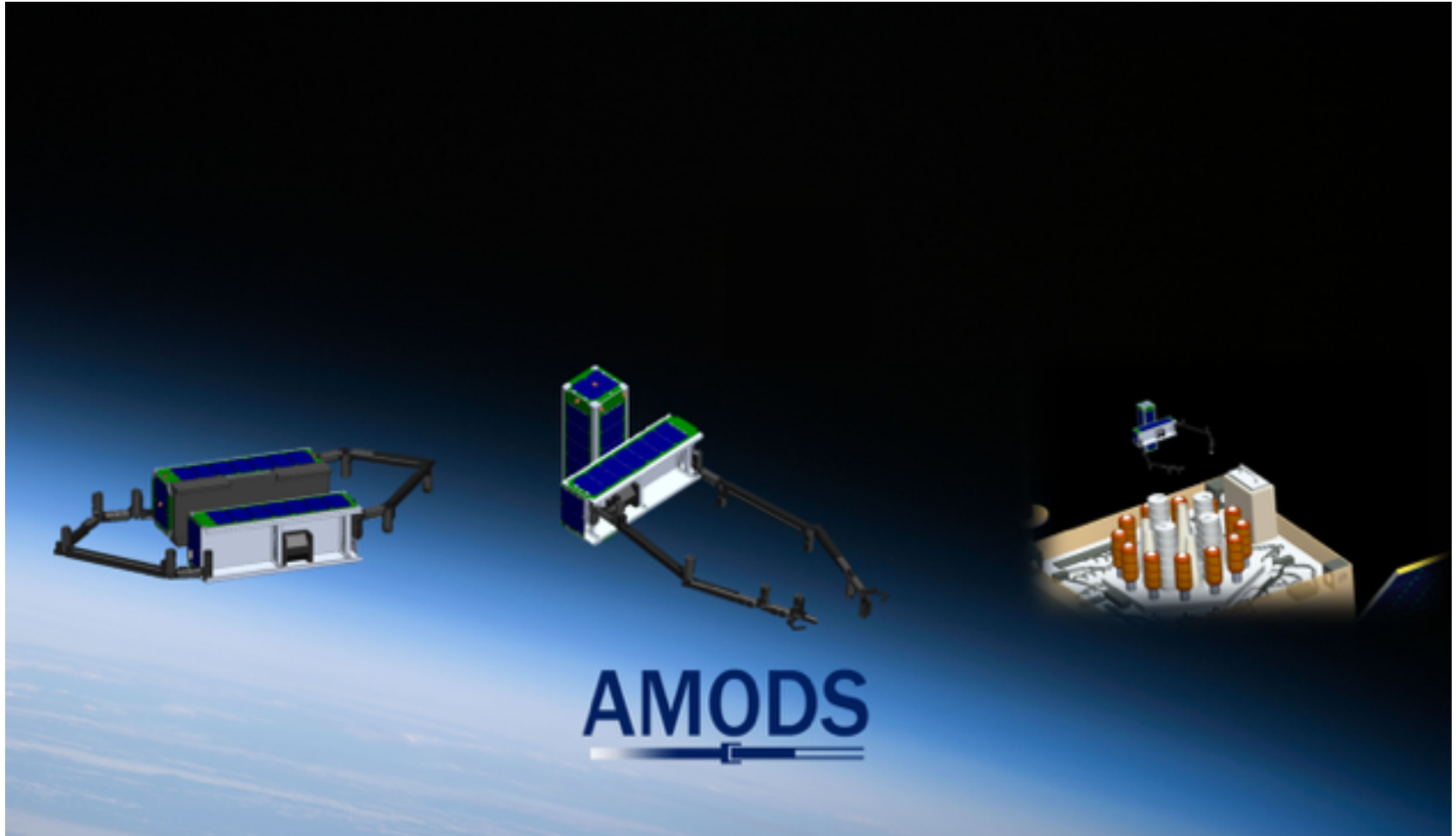
Nickel Titanium (Nitinol) Dampening







Questions?



http://www.universetoday.com/wp-content/uploads/2014/02/canadarm_dragon.jpg
http://space.skyrocket.de/doc_sdat/cpod.htm