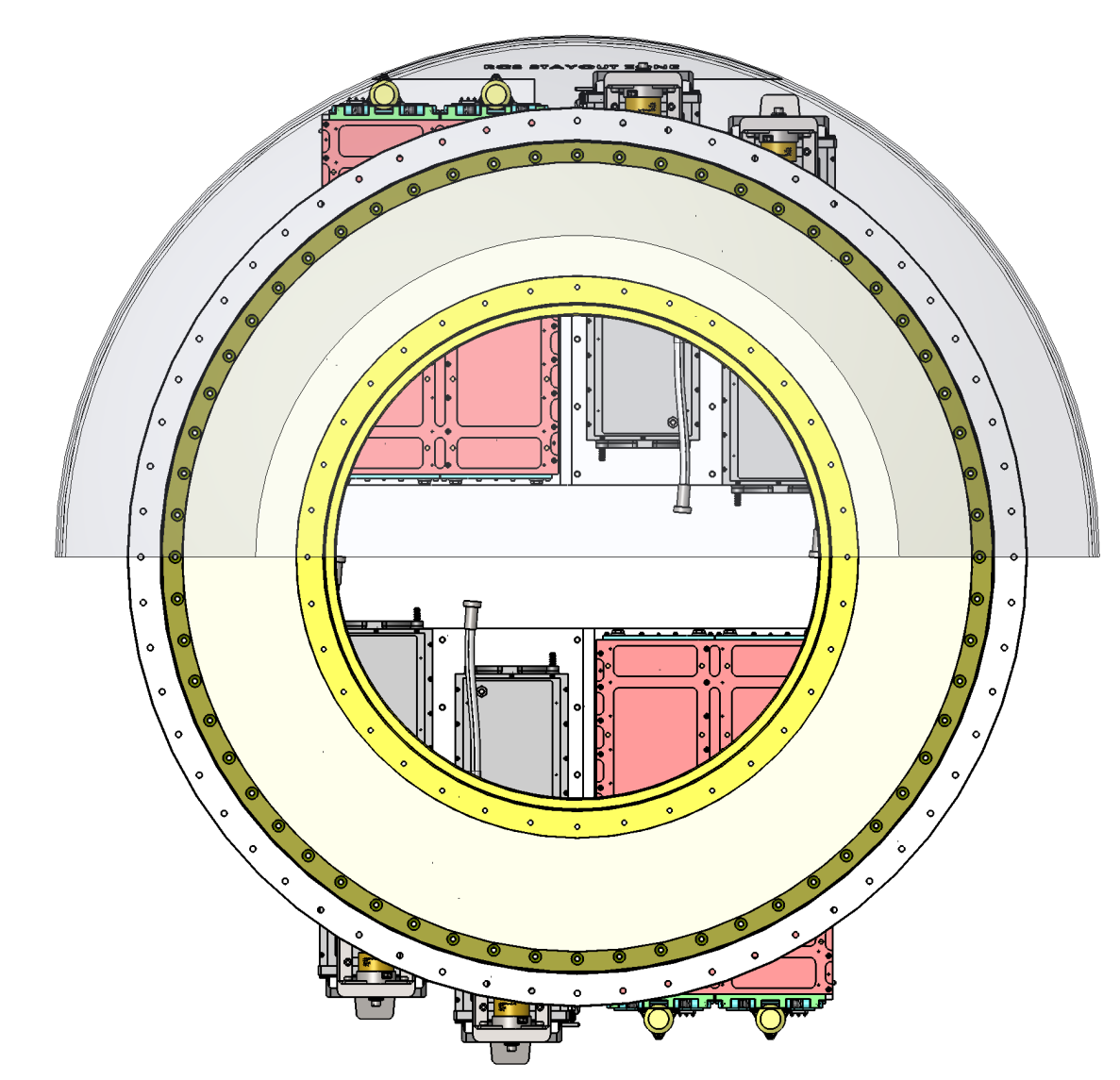
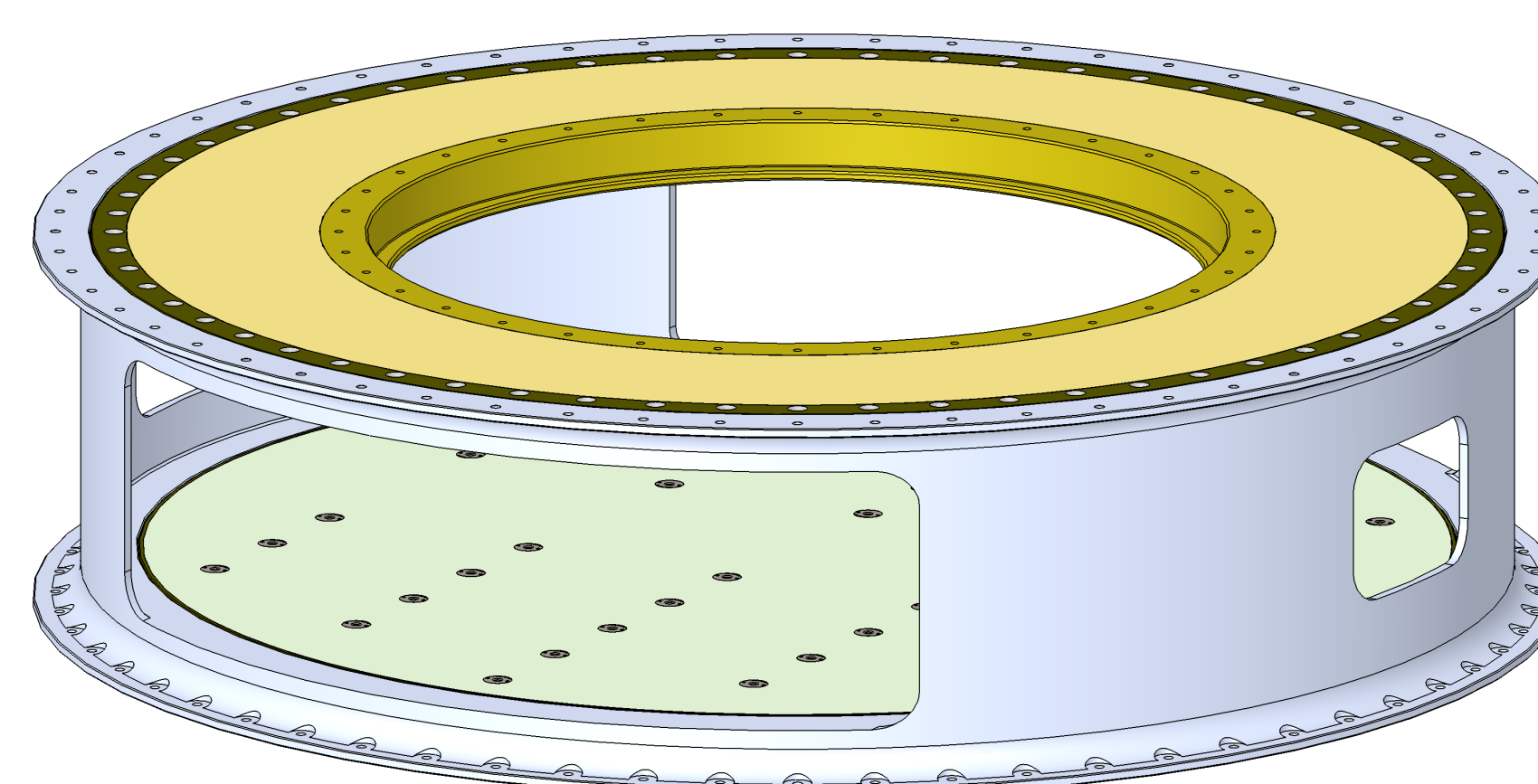


CubeStack



CubeSat Launch Adapter

- Minotaur, Taurus, Pegasus, and Falcon vehicles
- Developed by LoadPath LLC and CSA Engineering under contract to Air Force Research Laboratory Space Vehicles Directorate

“Wafer” Configuration

- Similar to Nanosatellite Launch Adapter System (NLAS) adapter developed by NASA/Ames Research Center
 - 10 inches tall with 38.81-inch-diameter LV interface
 - 38.8-inch and 24-inch-diameter primary-spacecraft interfaces
- Accommodates eight 3U dispensers (P-PODs), four 6U dispensers, or other combinations of 3U and 6U dispensers

Development and Design Features

- Developed using requirements derived from launch vehicle specifications and lessons learned from NLAS adapter fabrication and test to support Air Force needs for rapid integration and launch
 - Small part count
 - Minimal weight (105 lb)
 - Easy satellite dispenser integration

Flight qualified adapters available late 2011