

# ***RocketPod™ Update***

**Rex Ridenoure, CEO**  
**Ecliptic Enterprises Corporation**  
**Pasadena, CA and Moffett Field, CA**



**2007 August 11-12**

**Summer CubeSat Developers' Workshop**

**Logan, UT**

# Ecliptic Products



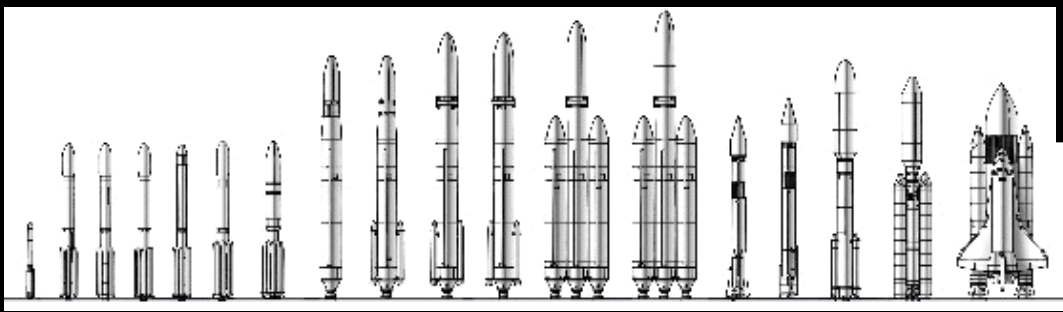
- **RocketCam™: Get the picture.**
- **RocketPod™: Get the ride.**



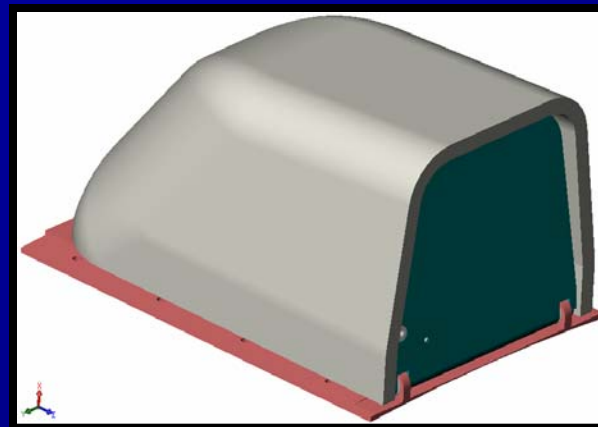
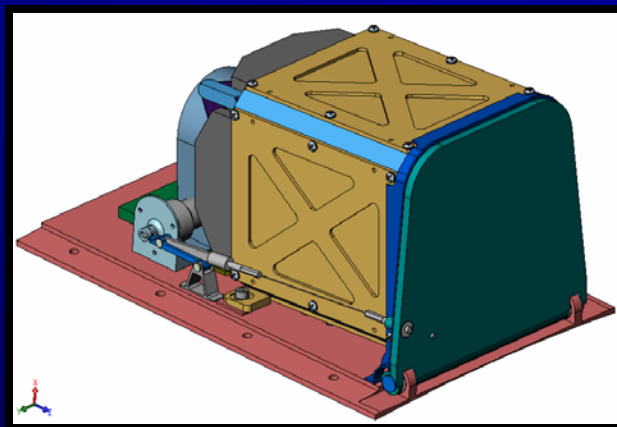
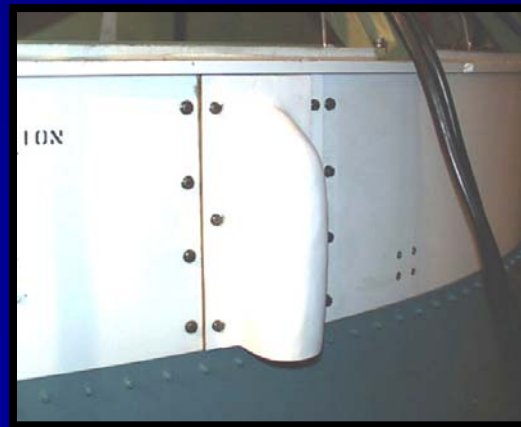
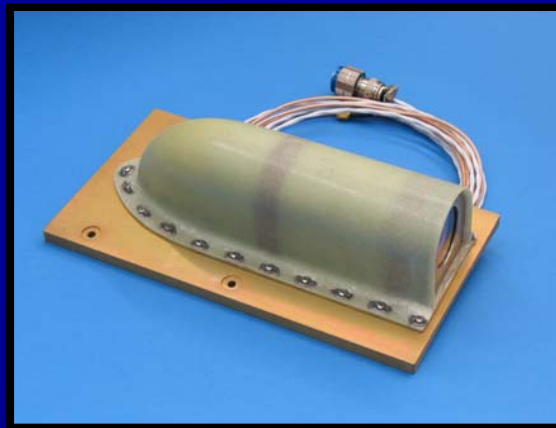
# RocketCam Space Heritage



- **Launched on 54 projects since 1997**
  - 34 rockets to orbit (70 cameras)
  - 18 suborbital launches (41)
  - 2 spacecraft (6)
- **All relatively simple integrations**
- **All relatively low cost**
- **All successful**
- **Many more to come**

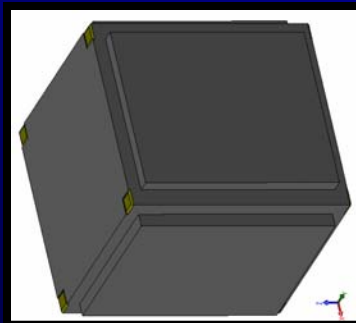
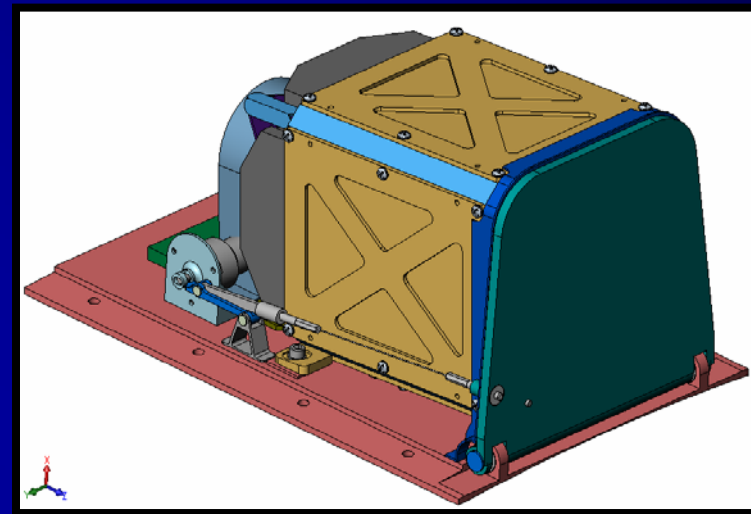
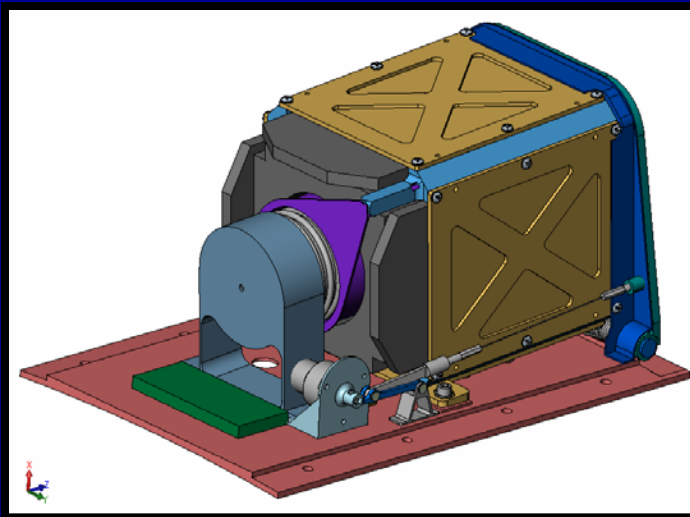


# RocketCam to RocketPod (Delta II example)



Patented in U.S. and abroad

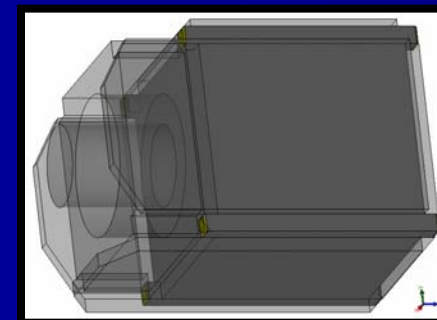
# RocketPod Internal View



Std. CubeSat

## Sep velocities:

- 2.6 m/s for 0.6 kg payload
- 2.0 m/s for 1.0 kg
- 1.4 m/s for 2.0 kg



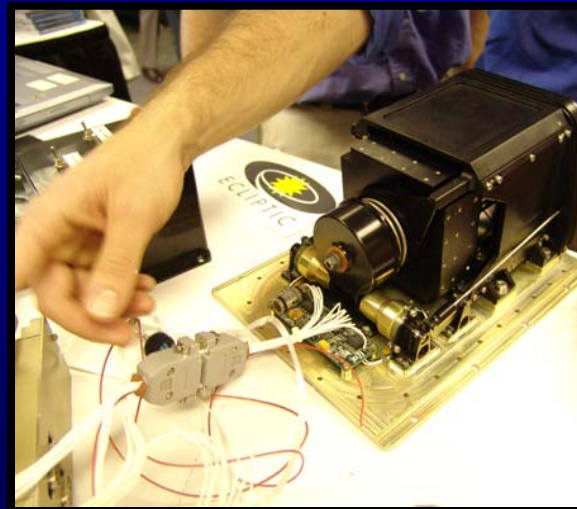
"CubeSat+"

# Project Accomplishments

2002-2004



- **Delivered a flight-like RocketPod working model**
  - 8 mos. ARO (delivered 2004 Jul)
  - Verified functionality in lab and in simulated microgravity
- **Delivered a preliminary User's Manual**
- **Secured add-on funding for definitive Delta II secondary payload assessment via USAF/SMC**
  - Completed 2004 Dec by Boeing

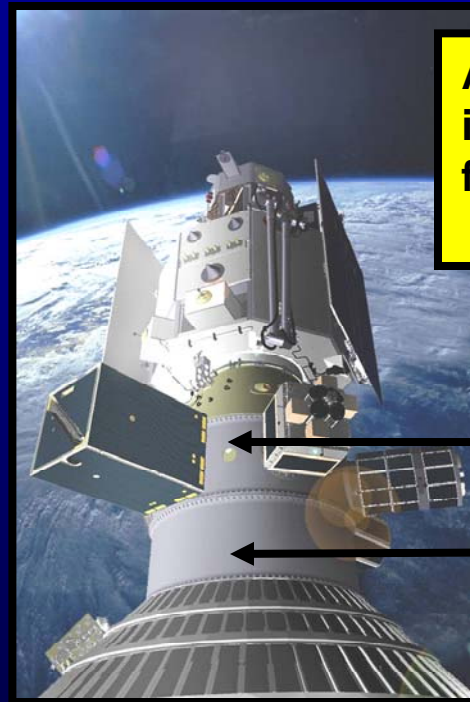


# Project Accomplishments

2005-2006



- Assessed integration issues for most other U.S. ELVs, plus some spacecraft
  - Delta IV, Atlas 5, Minotaur, Taurus, Falcon 1
- Settled on Atlas 5 “C Ring” as most desirable RocketPod (and P-Pod) location

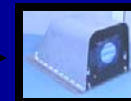
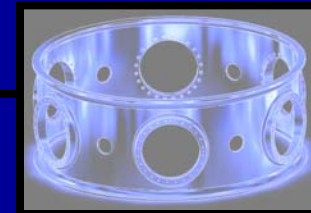


Active DARPA STTR with Cal Poly SLO to identify and work orbital launch opportunities for RocketPod and P-Pod  
-- Focusing on 2009 NASA Atlas 5 launch

ESPA Ring

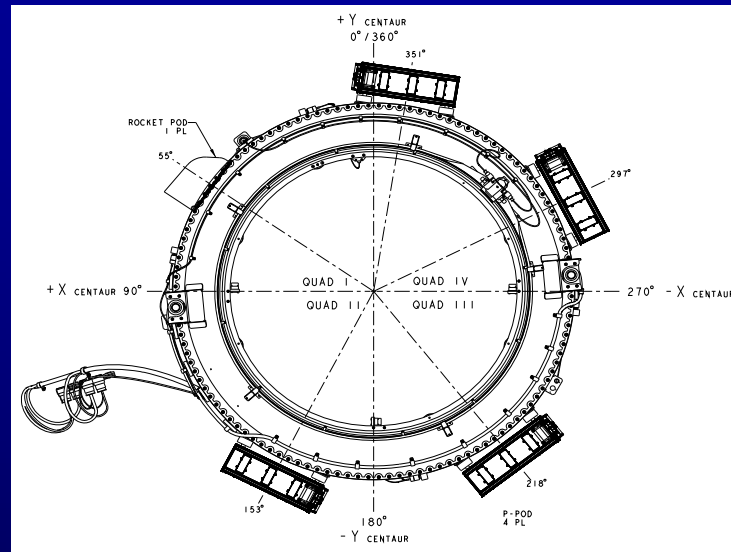
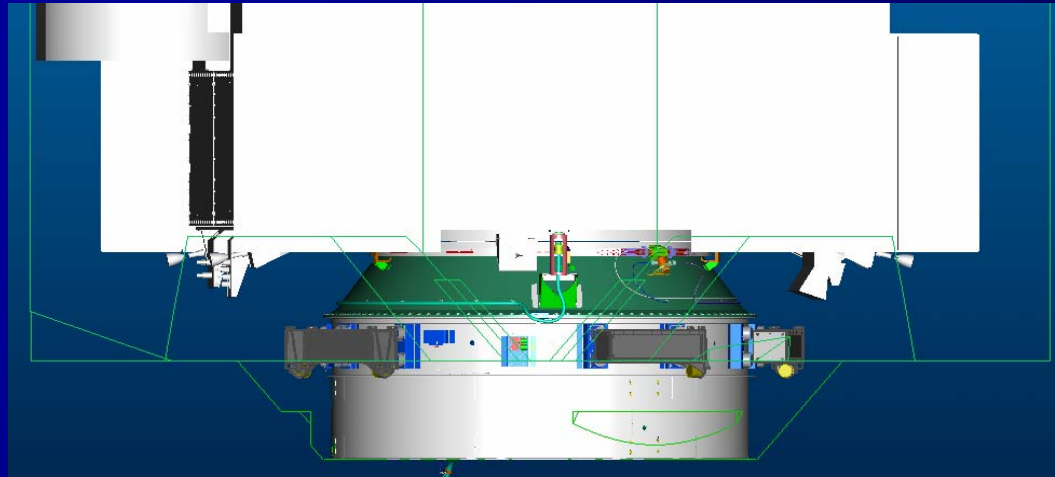
C Ring

RocketPod (xN)



2007 Aug 12

# Current Baseline Concept on Atlas 5



1Q 2009?



# Other Recent Activities



- **Two suborbital RocketPod launches this fall on Garvey Spacecraft Corporation P-9A/B reusable rocket**
  - Fairing fit-check on P-7 last fall
  - Follow-on launch early 2008 if 2007 launches are successful
- **Actively discussing RocketPod applications for other rocket and spacecraft applications**
  - Commercial, NASA, defense
- **Ecliptic-NASA Ames strategic MOU signed Jun 29**
- **Launch option on Falcon-1 launch late this year (?)**
  - Malaysian launch, via Space Access Technologies

# Fairing Fit-Check on GSC P-7



2006 Sep



2007 Aug 12

10

# Ecliptic Summer Internship



2007 Aug 12

11

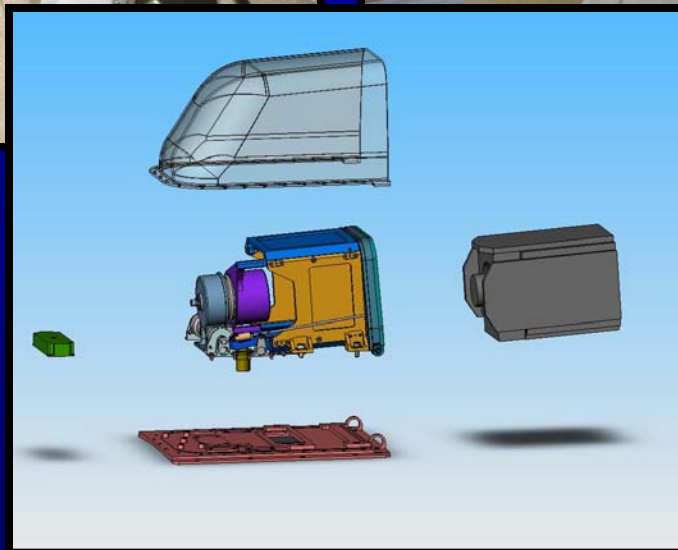
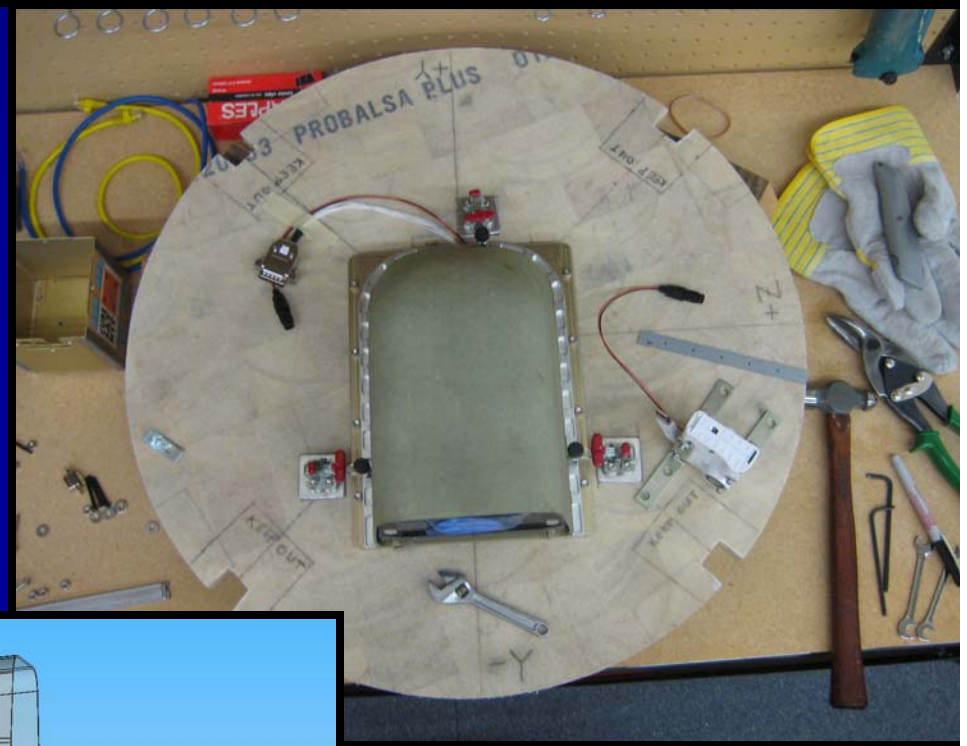
# Prepping for P-9A/B



2007 Aug 12

12

# Prepping for P-9A/B



2007 Aug 12

13