



F'SATI Postgraduate Programme in **Satellite Systems Engineering**

**The First African CubeSat,  
ZACUBE-01**

**7 August 2011**

Renier Siebrits  
[siebritsr@cput.ac.za](mailto:siebritsr@cput.ac.za)

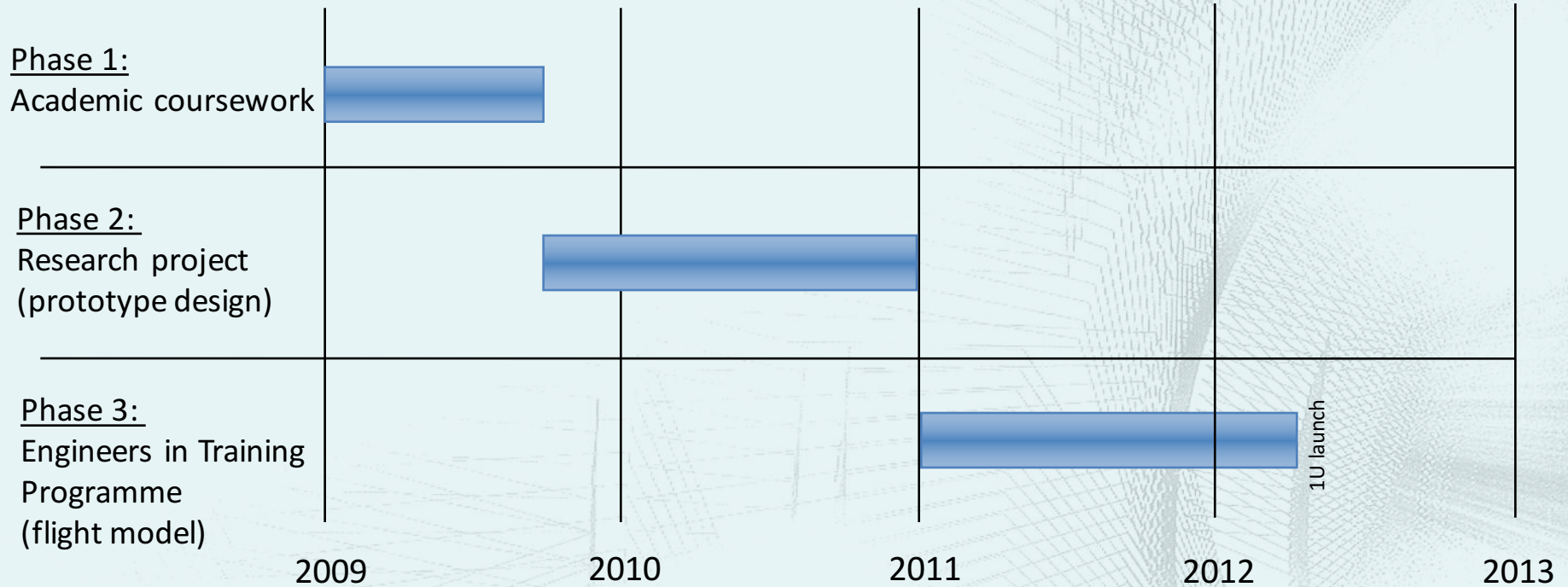


# Overview

- The F'SATI satellite programme
- 1U CubeSat Mission
  - Mission
  - Objectives
  - Subsystems
  - Design Challenges
- Other Projects



# F'SATI Space



# Engineers In Training Program

- 8 Engineers in Training
- Main Objective – Design and build a 1U CubeSat in 1 Year

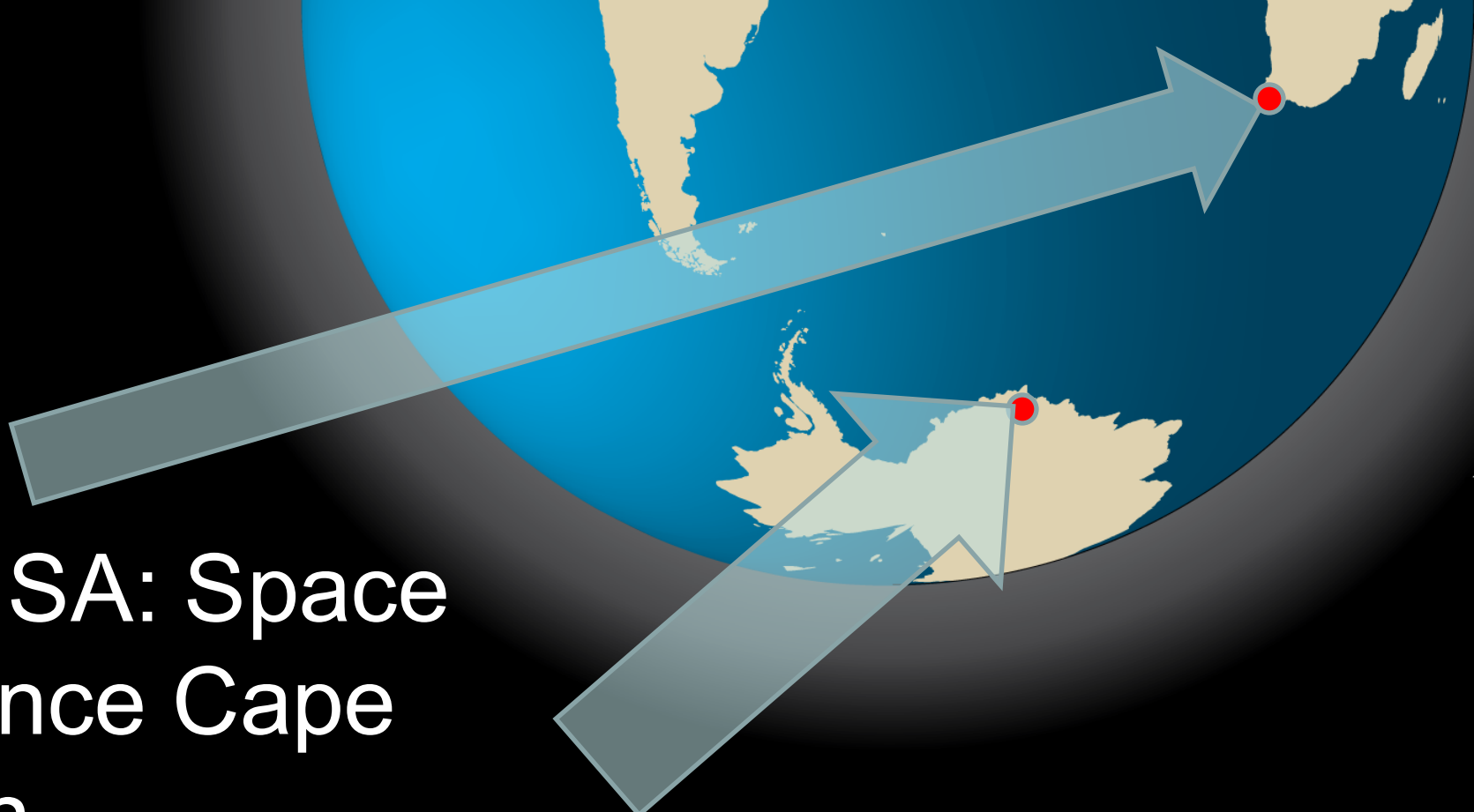
# Define a Mission

- SANSA: Space Science – South African National Space Agency
- Space Weather Monitoring
- Ionospheric Studies



# SuperDARN Radar System

- Super Dual Auroral Radar Network
- Ionospheric Studies
- Radars in Northern and Southern Hemisphere
- HF Frequency Bands ( 8 to 22 MHz)
- Calibration of SANAE Base Radar System



SANSA: Space  
Science Cape  
Town

SANAE Base Antarctica



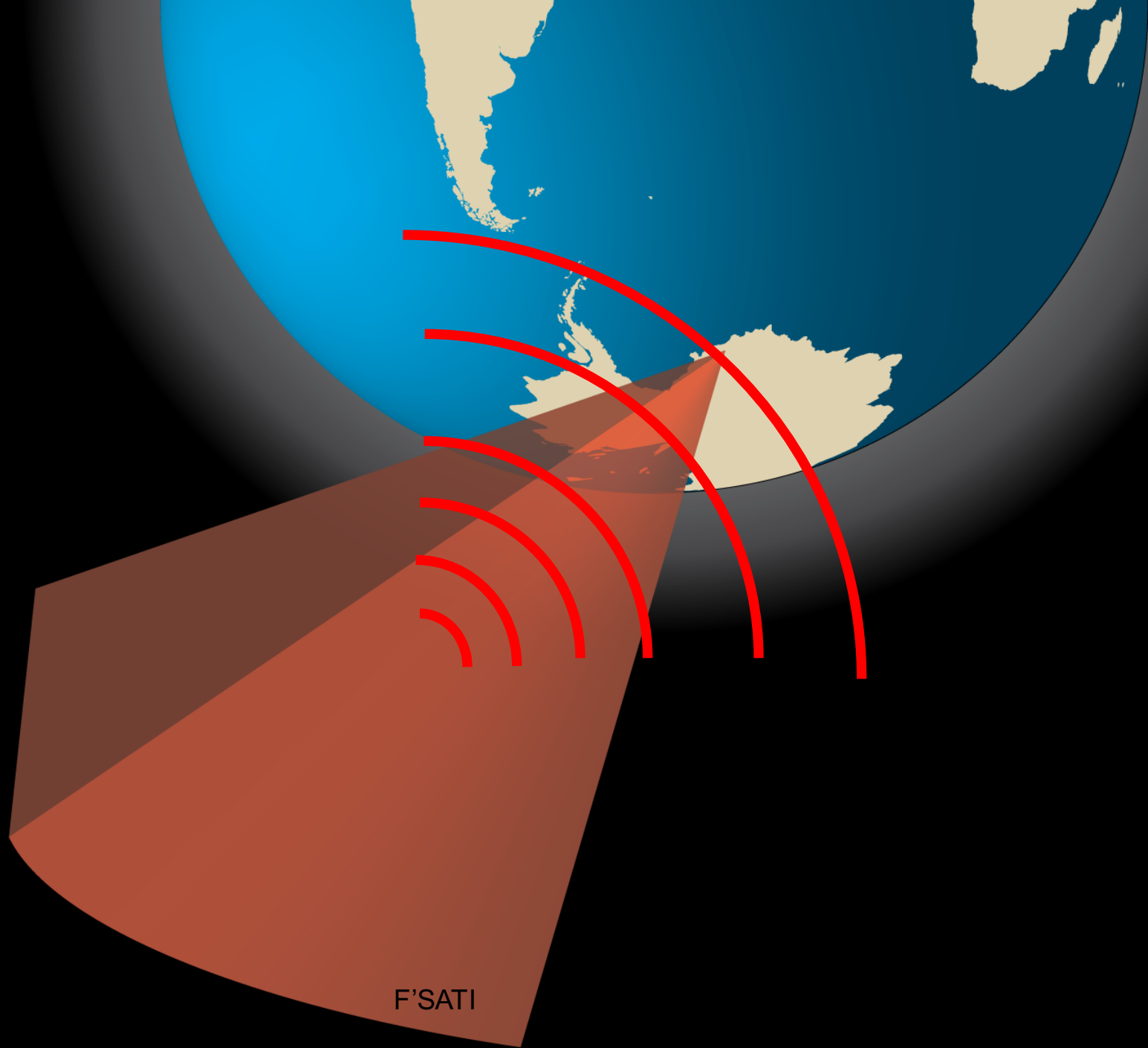
# SANAE Base Antarctica





# SuperDARN Radar Antennas



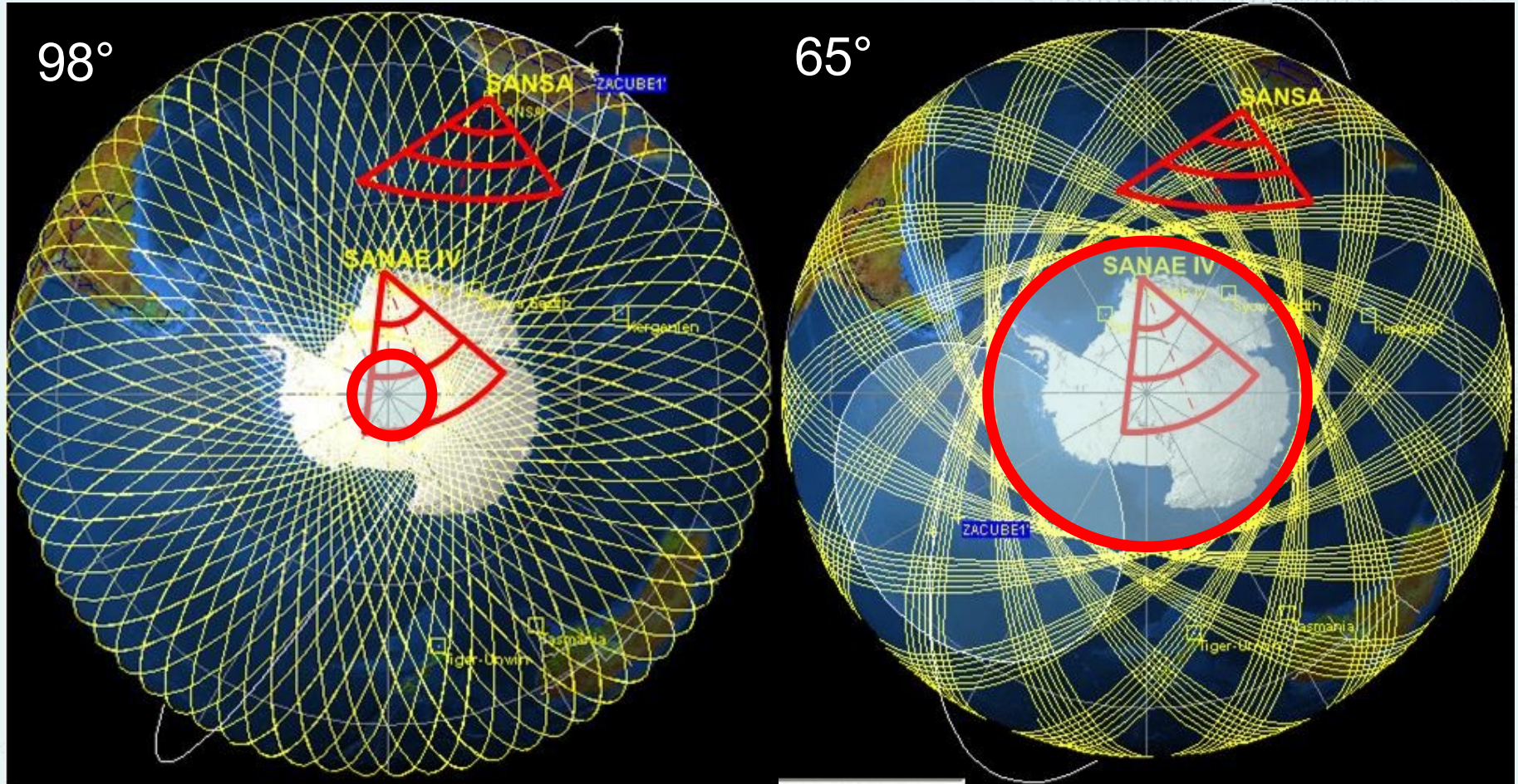


F'SATI



# Mission Challenges

- Orbit Inclination



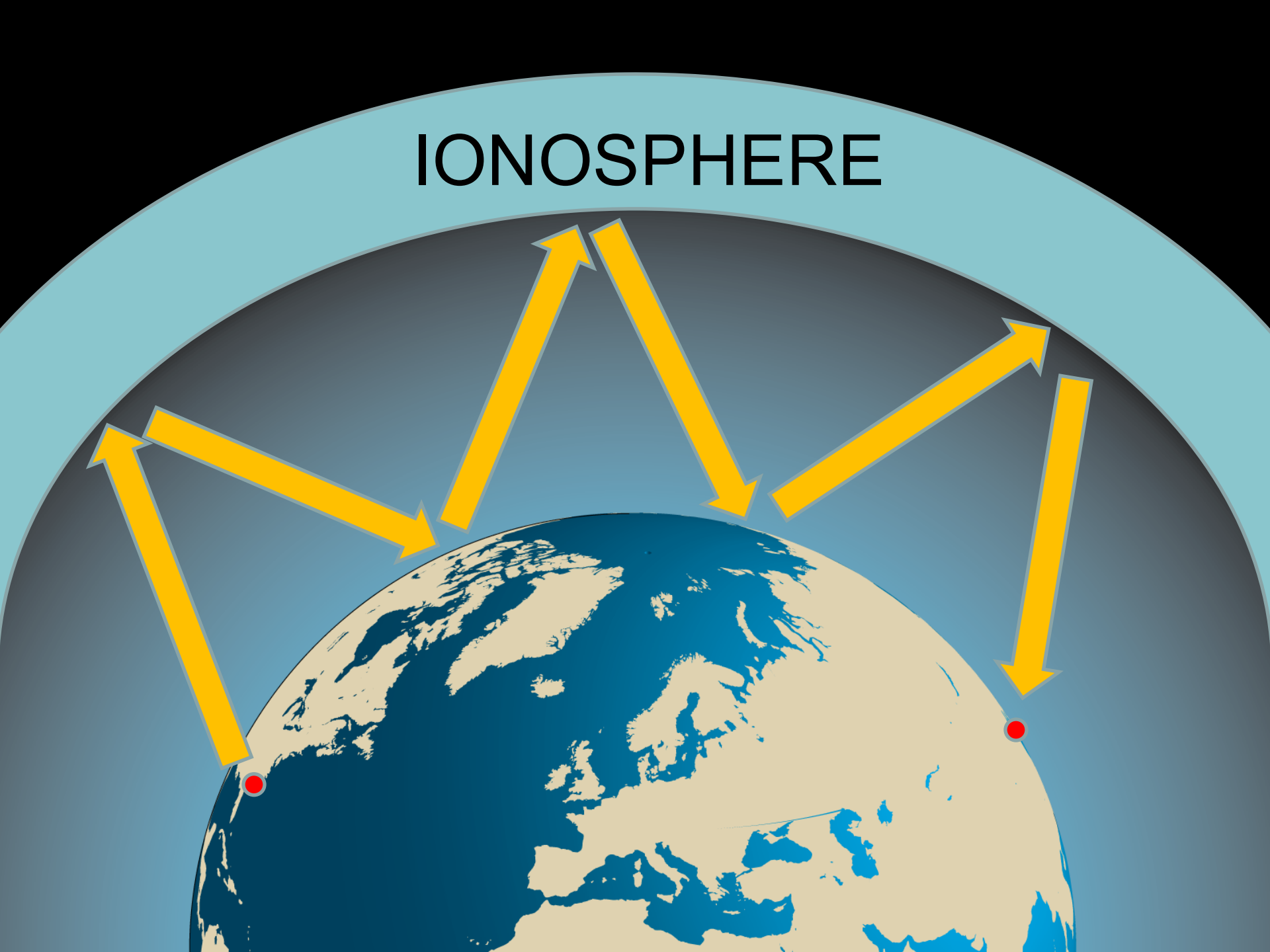


# Mission Challenges

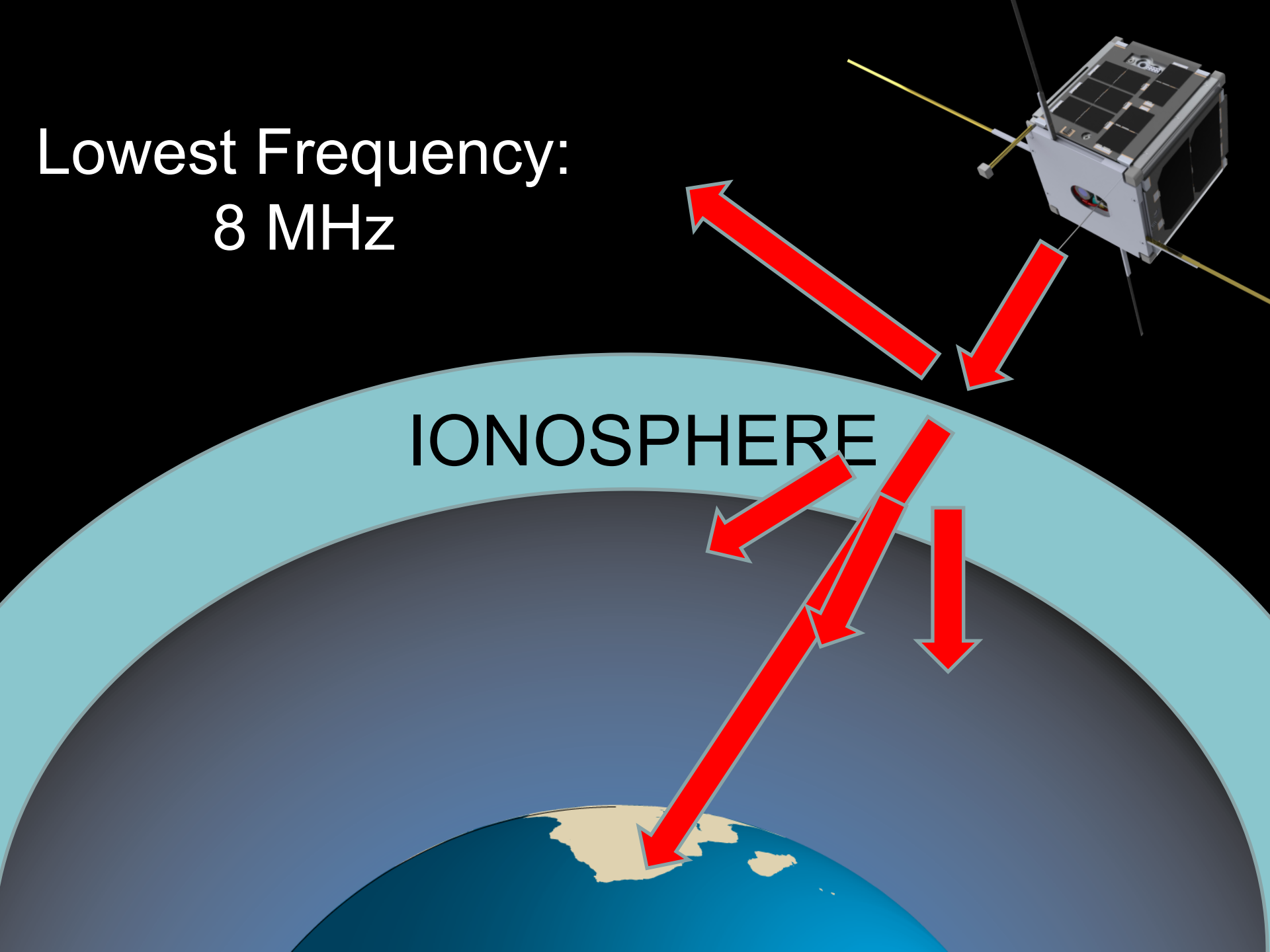
- HF Frequency Range



# IONOSPHERE



Lowest Frequency:  
8 MHz





# Mission Challenges

- HF Frequency Range
  - Received Licensing for 14.099 MHz
- Antenna
  - 14.099 MHz
  - Full Wavelength: 21.28 m or 69.81 ft
  - Monopole Length: 5.32 m or 17.45 ft

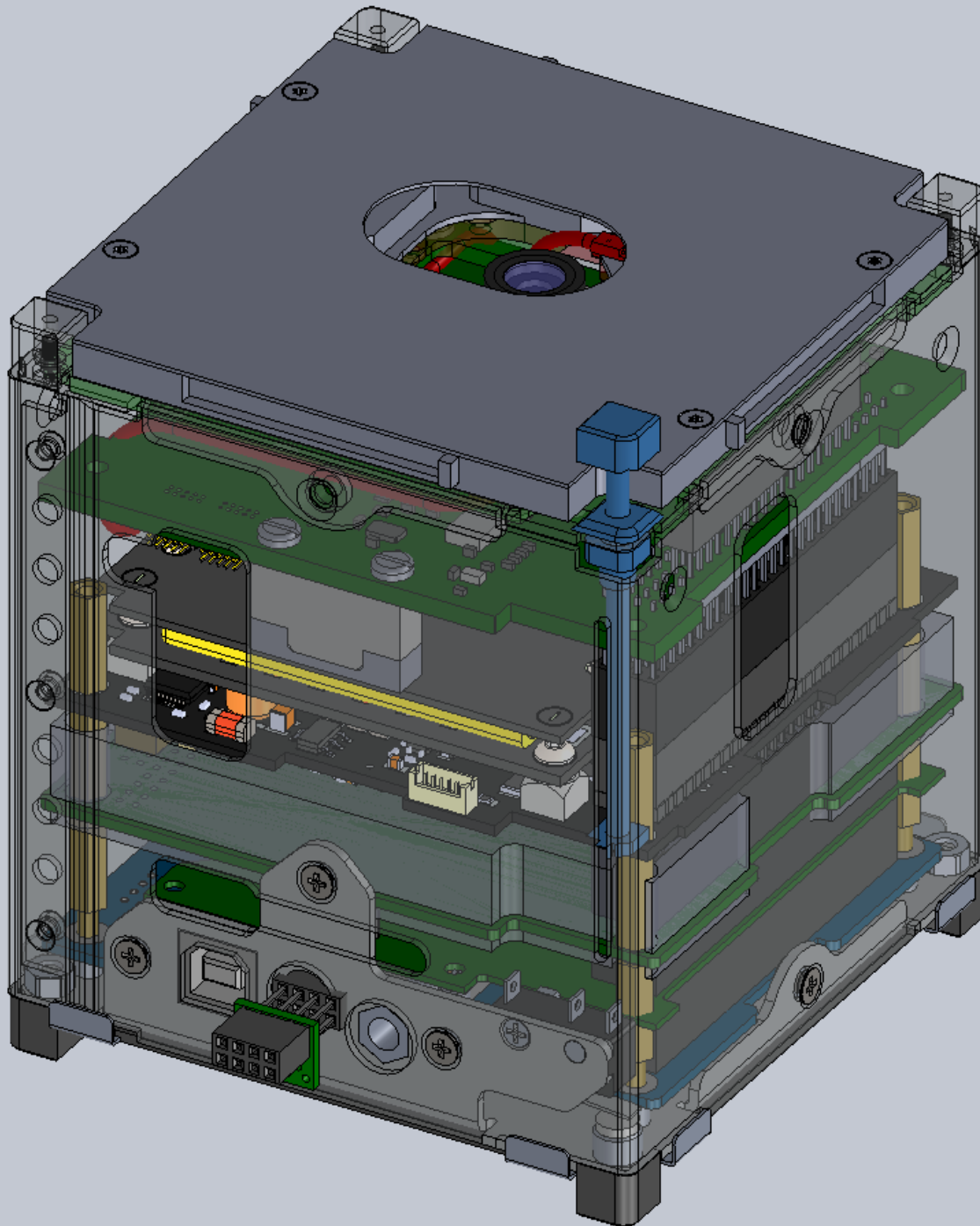
# ZACUBE-01 Specifications

- Bought in Items:
  - 1U Structure
  - Clyde Space EPS, Battery & Solar Panels
  - ISIS VHF/UHF Antenna
  - Pumpkin OBC

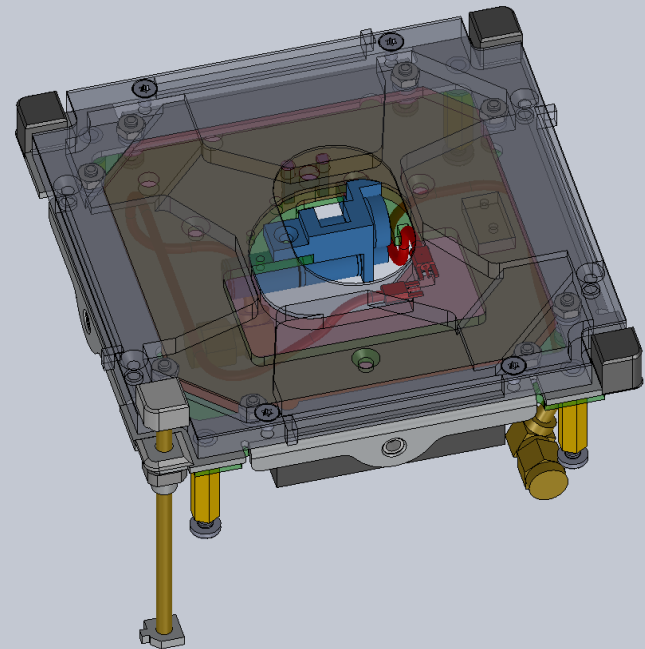
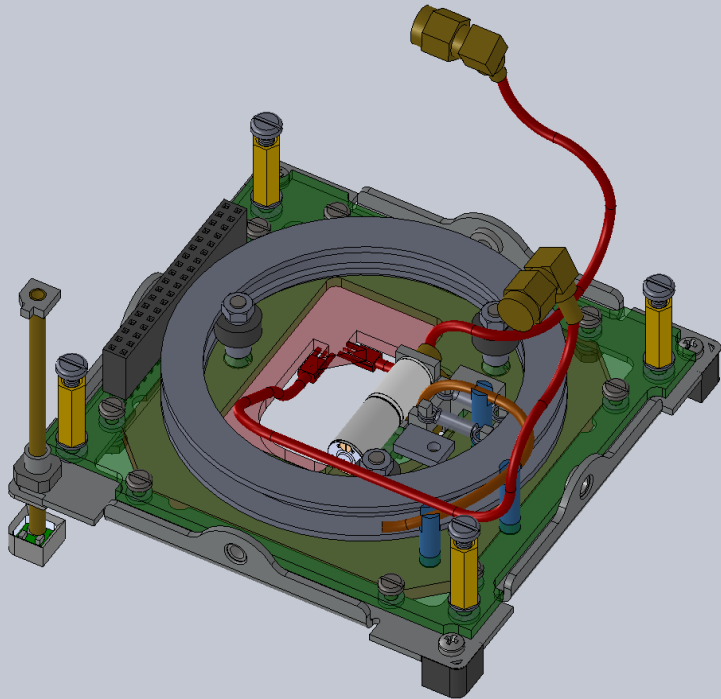
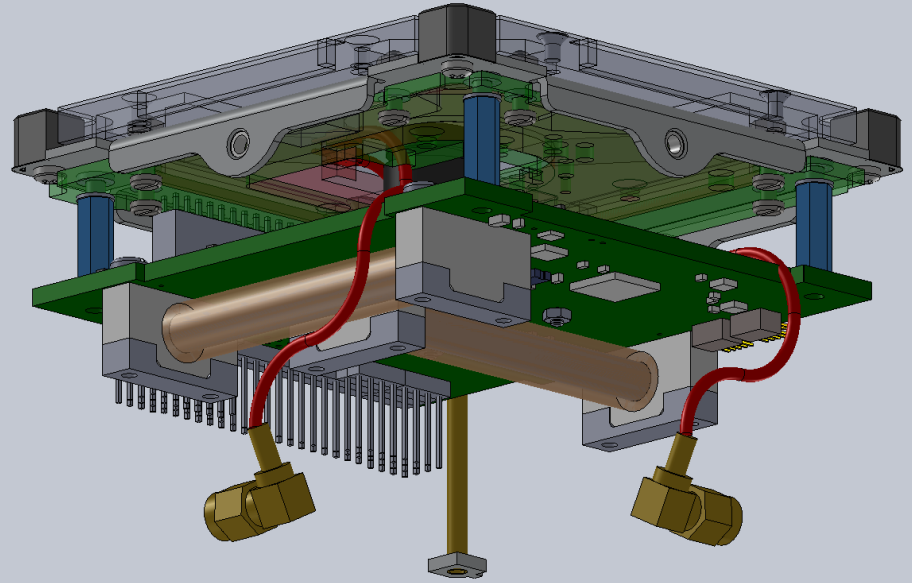
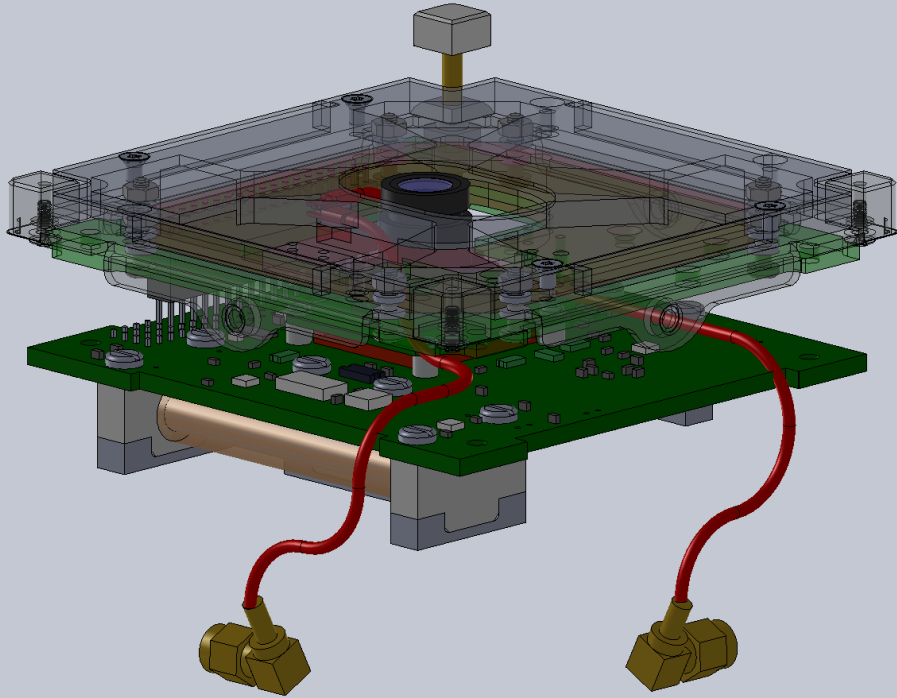
# ZACUBE-01 Specifications

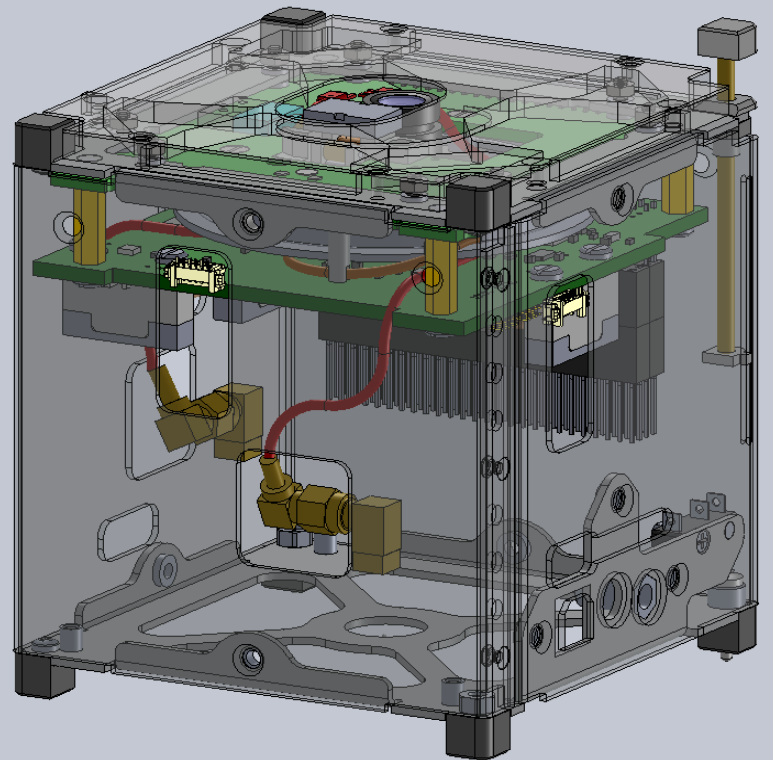
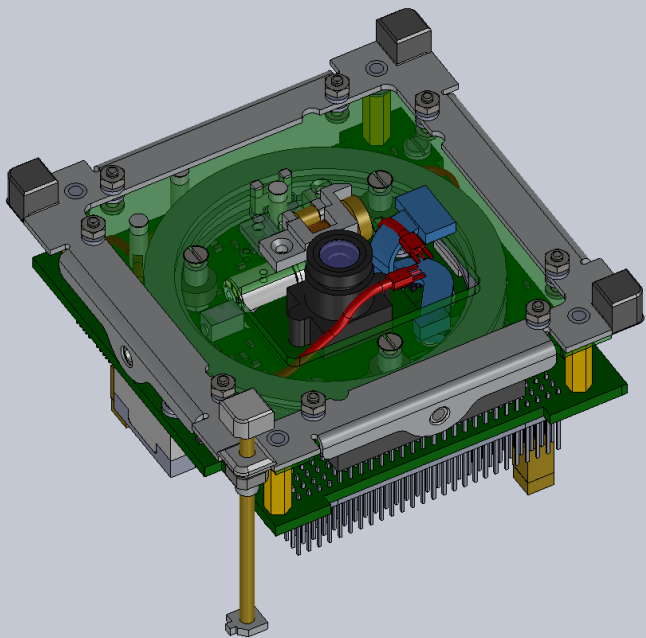
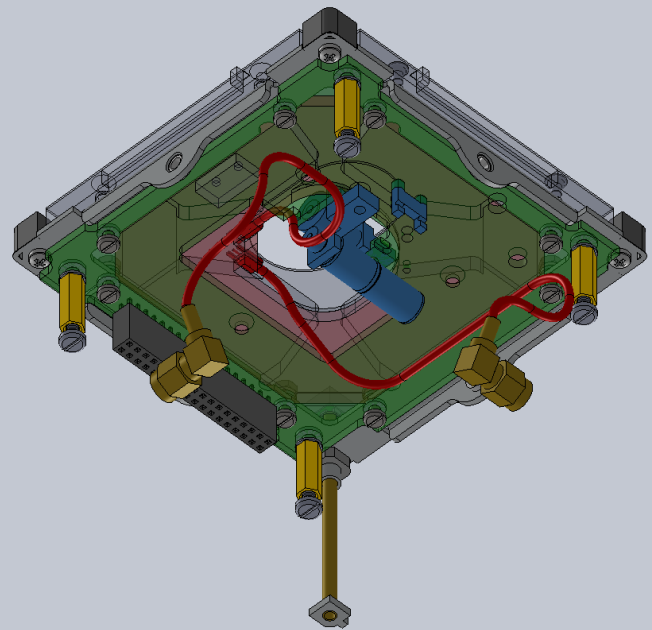
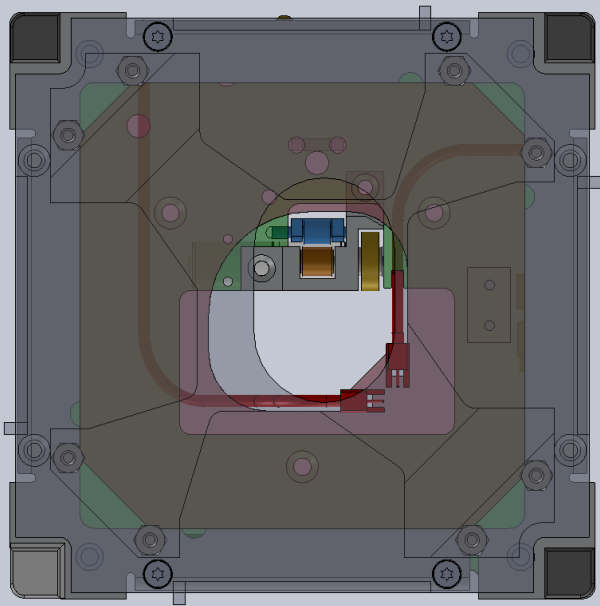
- In-House Developed Subsystems:
  - VHF/UHF Transceiver
    - 145.86 MHz Uplink
    - 437.345 MHz Downlink
  - Payload Board
    - HF Beacon Transmitter
    - ADCS
    - Camera Payload
  - HF Antenna Deployment Mechanism



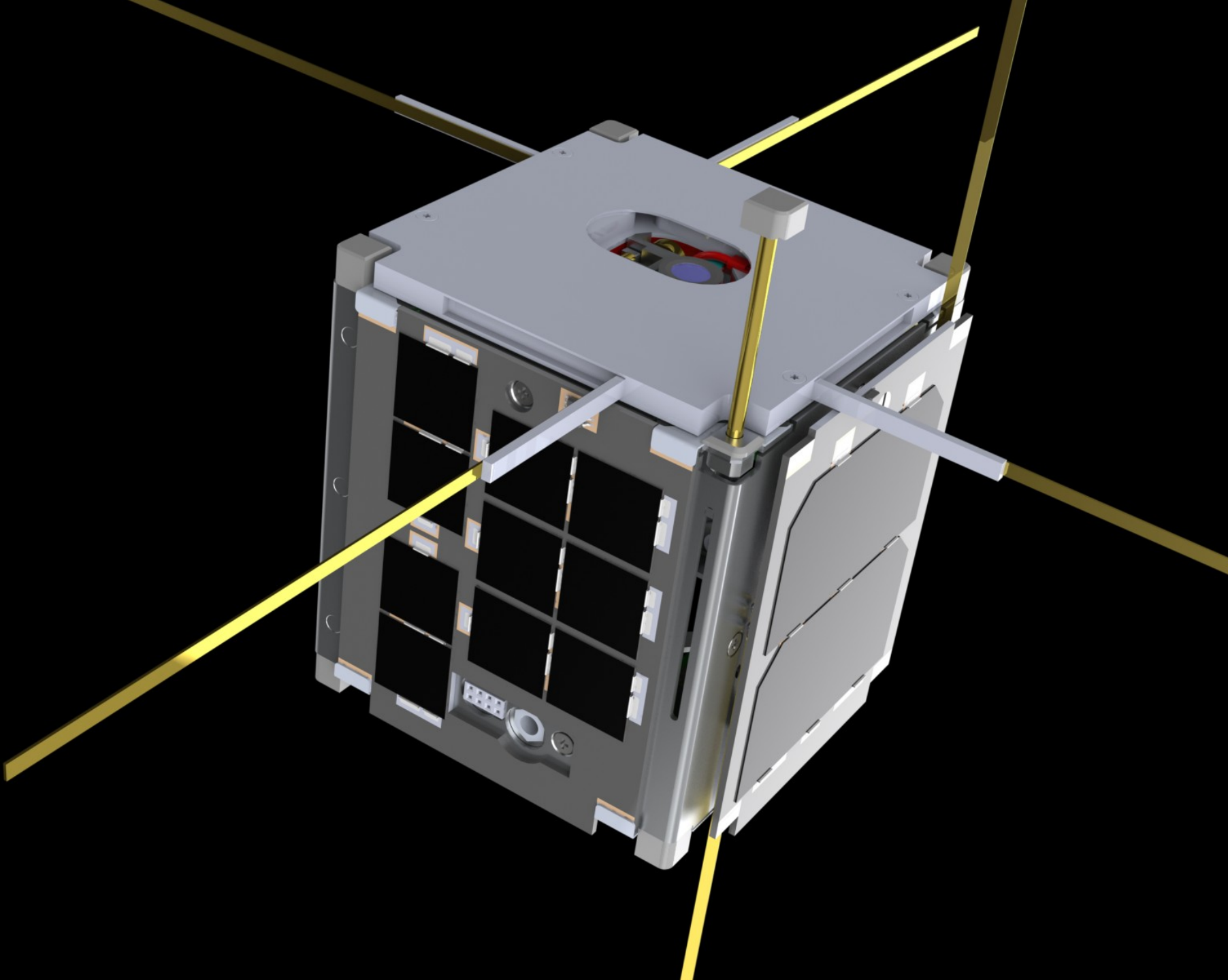


- VHF/UHF Antenna
- Antenna Deployment Mechanism
- ADCS/camera/HF Beacon
- EPS & Battery
- VHF/UHF Transceiver
- OBC
- Deployable Magnetometer







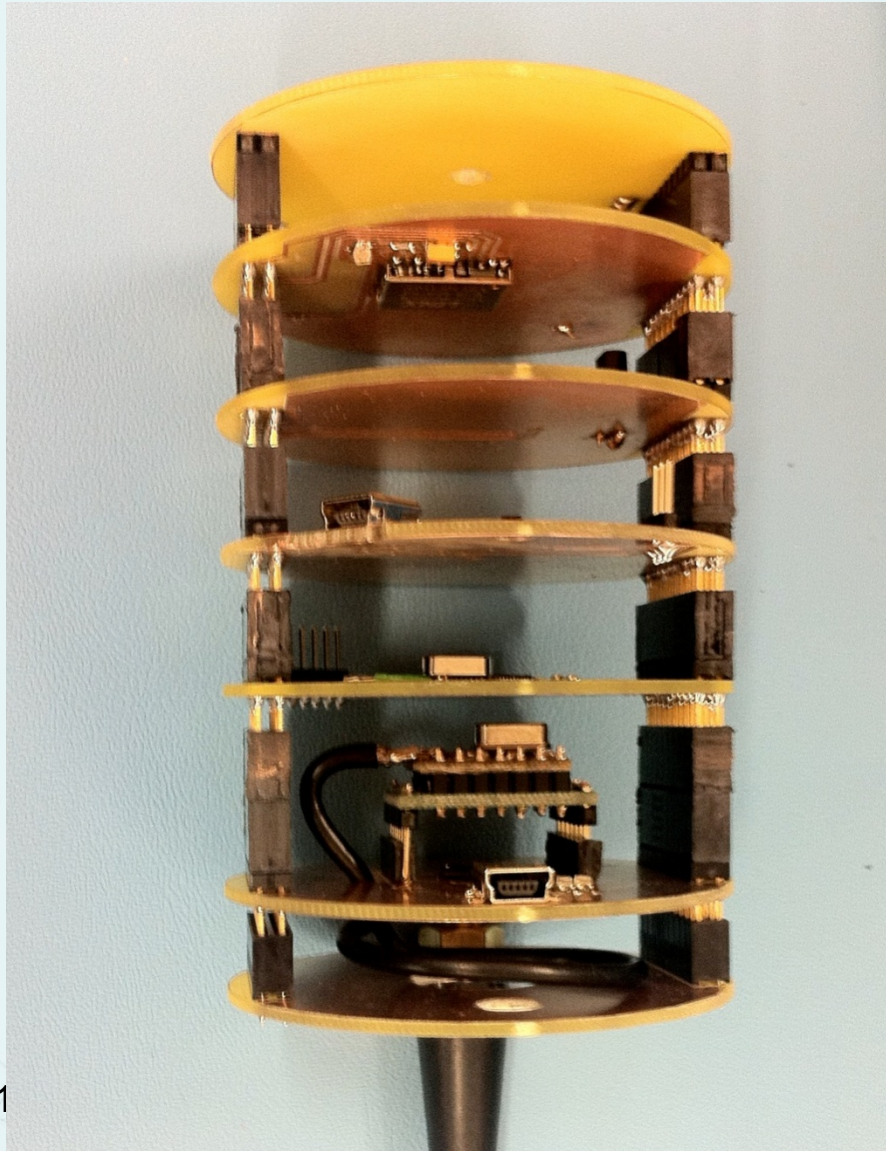


# Subsystem Progress

- Completed:
  - Camera, HF Beacon, ADCS
- Work in Progress:
  - Mechanical Manufacturing
  - VHF/UHF Transceiver
  - Flight Software
- Launching 2012



# Other Projects: CanSats

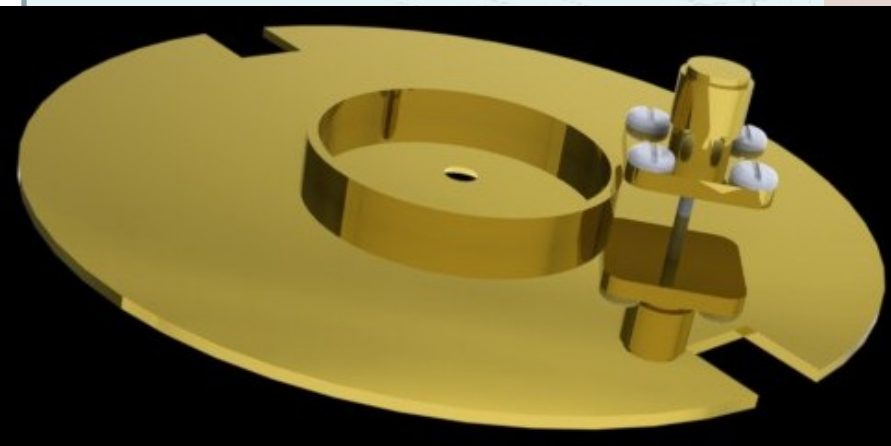
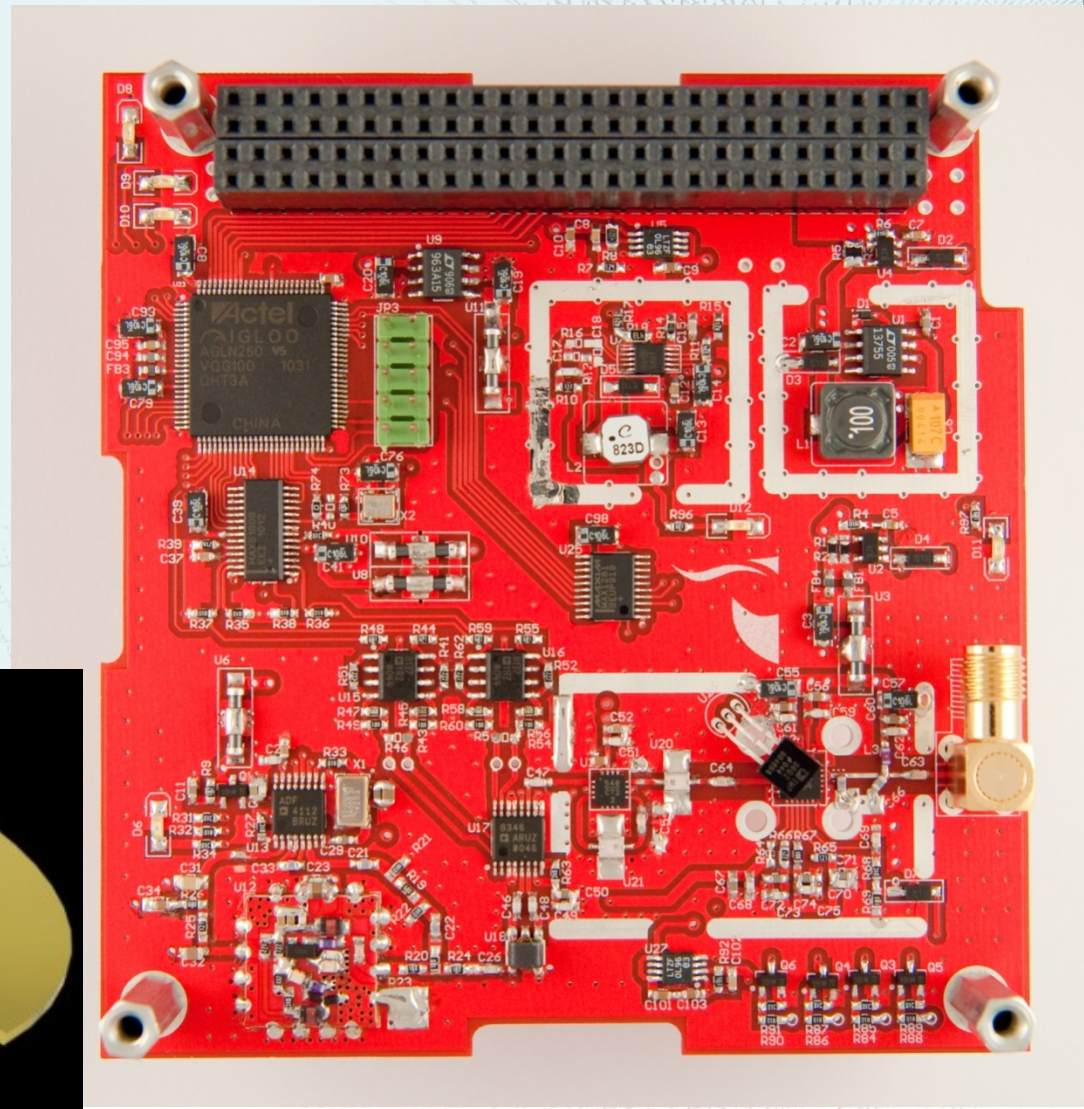






# Other Projects - STX

- 2.4 – 2.48 GHz
- 1 Watt RF Power
- 2 Mbps Data Rate
- 6 W Power Consumption
- QPSK Modulation

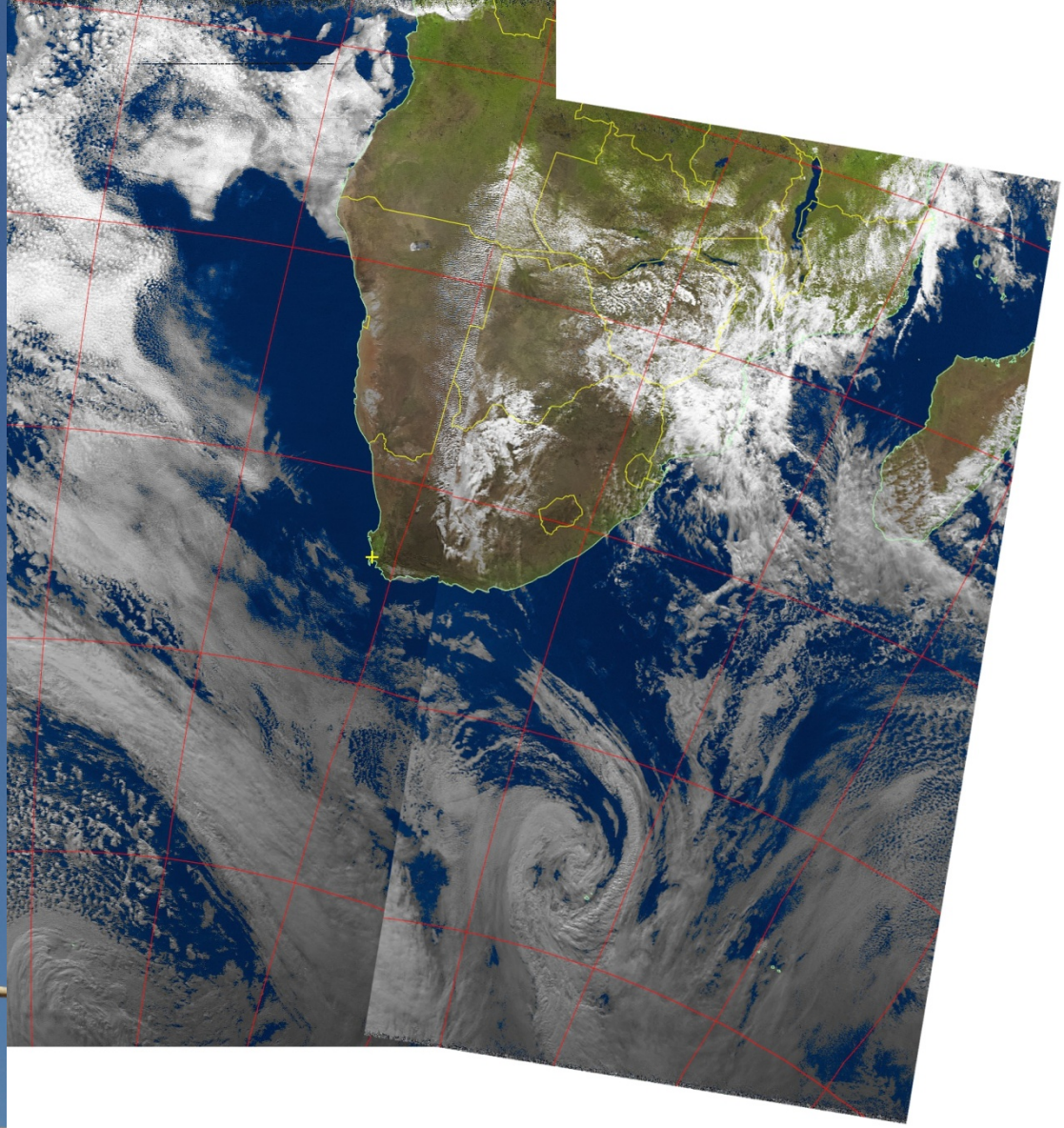






**F'SATI**  
French South African Institute of Technology

# Ground Station





# IAC and CubeSat Workshop

- International Astronautical Congress
  - Cape Town International Convention Centre
  - 3 - 7 October 2011

- 1<sup>st</sup> International African Cubesat Workshop
  - 30 September to 2 October





# Thank You!

## Contact Personal:

- Prof Robert van Zyl
  - [vanzylr@cput.ac.za](mailto:vanzylr@cput.ac.za)
- Francois Visser
  - [visserdf@cput.ac.za](mailto:visserdf@cput.ac.za)
- Renier Siebrits
  - [siebritsr@cput.ac.za](mailto:siebritsr@cput.ac.za)

[www.cput.ac.za/fsati](http://www.cput.ac.za/fsati)